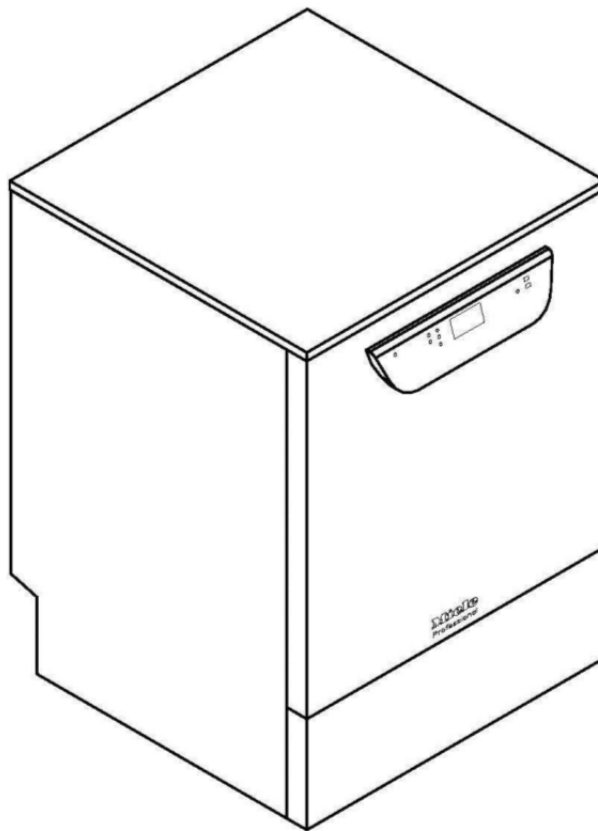


Installation plan:

PG 8591 – PG 8593



Mat. no.
Version

10 390 870
00

GB, IE, AU, NZ





CE 0297

Legend:

(EL) Circled, bold-type abbreviations:
Connection required

(DS) Abbreviations surrounded by broken circle:
Connection optional or required, depending on model

(EL)	Electrical connection GB, IE	Voltage (standard version) Connected load Fuse rating Connection cable, min. cross-sectional area Length of mains connection cable (H05(07)RN-F)	V/Hz kW A mm ² m	AC 230 V/50 6.3 1 x 30 - 32 3 x 4 2.0
(EL)	Electrical connection GB, IE	Voltage (convertible) Connected load Fuse rating Connection cable, min. cross-sectional area Length of mains connection cable (H05(07)RN-F)	V/Hz kW A mm ² m	3N AC 400/50 9.3 3 x 15/16 4 x 2.5 2.0
(EL)	Electrical connection GB, IE	Voltage (convertible) Connected load Fuse rating Connection cable, min. cross-sectional area Length of mains connection cable (H05(07)RN-F)	V/Hz kW A mm ² m	AC 230 V/50 3.3 1 x 15 /16 3 x 1.5 2.0
(EL)	Electrical connection AU, NZ	Voltage (standard version) Connected load Fuse rating Connection cable, min. cross-sectional area Length of mains connection cable (H05(07)RN-F)	V/Hz kW A mm ² m	3N AC 400/50 9.3 3 x 15/16 4 x 2.5 2.0
(EL)	Electrical connection AU, NZ	Voltage (convertible) Connected load Fuse rating Connection cable, min. cross-sectional area Length of mains connection cable (H05(07)RN-F)	V/Hz kW A mm ² m	AC 230 V/50 6.3 1 x 30 - 32 3 x 4 2.0
(EL)	Electrical connection AU, NZ	Voltage (convertible) Connected load Fuse rating Connection cable, min. cross-sectional area Length of mains connection cable (H05(07)RN-F)	V/Hz kW A mm ² m	AC 230 V/50 3.3 1 x 15 /16 3 x 1.5 2.0
		We recommend connecting the washer-disinfector to the electrical supply via a plug and socket so that electrical safety checks can be carried out easily. The plug and socket must be easily accessible after installation. A hard wired connection is possible. It must be made in accordance with local and national safety regulations: - IEE (IET) Wiring regulations BS 7671: 2008 (for GB and IE) - AS / NZS Wiring Rules 3000 (for AU and NZ) Splash protection class IP21		

	Equipotential bonding and protective earth conductor	<p>There is a screw connection point at the back of the washer-disinfector, to which equipotential bonding can be connected if required.</p> <p>Connect equipotential bonding and protective earth conductor!</p>																															
	Cold water	<p>Two cold water connections are required for models with a steam condenser (DK). The second cold water hose can be connected using the Y-piece provided.</p> <table border="0"> <tr> <td>Maximum temperature</td> <td>°C</td> <td>20</td> </tr> <tr> <td rowspan="2">Max. water hardness</td> <td>mmol/l</td> <td>12.6</td> </tr> <tr> <td>°dH</td> <td>70</td> </tr> <tr> <td>Minimum flow pressure</td> <td>kPa</td> <td>200</td> </tr> <tr> <td>Minimum flow pressure with extended water intake</td> <td>kPa</td> <td>100</td> </tr> <tr> <td>Maximum pressure</td> <td>kPa</td> <td>1,000</td> </tr> <tr> <td>Flow rate</td> <td>l/min</td> <td>7.5</td> </tr> <tr> <td>On-site threaded union in accordance with (flat seal): - DIN 44991 - AS 3688 (for AU and NZ)</td> <td>Inch</td> <td>3/4" male thread</td> </tr> <tr> <td>Length of cold water inlet hose</td> <td>m</td> <td>Approx. 1.7</td> </tr> <tr> <td>Length of steam condenser hose</td> <td>m</td> <td>Approx. 1.7</td> </tr> </table> <p>Connection to a drinking water supply in the UK requires the installation of an additional WRAS approved non-return device.</p> <p>For Australia and New Zealand: This machine must be connected to the potable water supply via the non-return valve (dual check valve) supplied with the machine.</p>	Maximum temperature	°C	20	Max. water hardness	mmol/l	12.6	°dH	70	Minimum flow pressure	kPa	200	Minimum flow pressure with extended water intake	kPa	100	Maximum pressure	kPa	1,000	Flow rate	l/min	7.5	On-site threaded union in accordance with (flat seal): - DIN 44991 - AS 3688 (for AU and NZ)	Inch	3/4" male thread	Length of cold water inlet hose	m	Approx. 1.7	Length of steam condenser hose	m	Approx. 1.7		
Maximum temperature	°C	20																															
Max. water hardness	mmol/l	12.6																															
	°dH	70																															
Minimum flow pressure	kPa	200																															
Minimum flow pressure with extended water intake	kPa	100																															
Maximum pressure	kPa	1,000																															
Flow rate	l/min	7.5																															
On-site threaded union in accordance with (flat seal): - DIN 44991 - AS 3688 (for AU and NZ)	Inch	3/4" male thread																															
Length of cold water inlet hose	m	Approx. 1.7																															
Length of steam condenser hose	m	Approx. 1.7																															
	Hot water	<table border="0"> <tr> <td>Maximum temperature</td> <td>°C</td> <td>65</td> </tr> <tr> <td rowspan="2">Max. water hardness</td> <td>mmol/l</td> <td>12.6</td> </tr> <tr> <td>°dH</td> <td>70</td> </tr> <tr> <td>Minimum flow pressure</td> <td>kPa</td> <td>200</td> </tr> <tr> <td>Minimum flow pressure with extended water intake</td> <td>kPa</td> <td>40</td> </tr> <tr> <td>Maximum pressure</td> <td>kPa</td> <td>1,000</td> </tr> <tr> <td>Flow rate</td> <td>l/min</td> <td>7.5</td> </tr> <tr> <td>On-site threaded union in accordance with (flat seal): - DIN 44991 - AS 3688 (for AU and NZ)</td> <td>Inch</td> <td>3/4" male thread</td> </tr> <tr> <td>Length of hot water inlet hose</td> <td>m</td> <td>Approx. 1.7</td> </tr> </table> <p>Connection to a drinking water supply in the UK requires the installation of an additional WRAS approved non-return device.</p> <p>For Australia and New Zealand: This machine must be connected to the potable water supply via the non-return valve (dual check valve) supplied with the machine.</p>	Maximum temperature	°C	65	Max. water hardness	mmol/l	12.6	°dH	70	Minimum flow pressure	kPa	200	Minimum flow pressure with extended water intake	kPa	40	Maximum pressure	kPa	1,000	Flow rate	l/min	7.5	On-site threaded union in accordance with (flat seal): - DIN 44991 - AS 3688 (for AU and NZ)	Inch	3/4" male thread	Length of hot water inlet hose	m	Approx. 1.7					
Maximum temperature	°C	65																															
Max. water hardness	mmol/l	12.6																															
	°dH	70																															
Minimum flow pressure	kPa	200																															
Minimum flow pressure with extended water intake	kPa	40																															
Maximum pressure	kPa	1,000																															
Flow rate	l/min	7.5																															
On-site threaded union in accordance with (flat seal): - DIN 44991 - AS 3688 (for AU and NZ)	Inch	3/4" male thread																															
Length of hot water inlet hose	m	Approx. 1.7																															
	Demineralised water	<table border="0"> <tr> <td>Maximum temperature</td> <td>°C</td> <td>65</td> </tr> <tr> <td>Minimum flow pressure</td> <td>kPa</td> <td>200</td> </tr> <tr> <td>Minimum flow pressure with extended water intake</td> <td>kPa</td> <td>30</td> </tr> <tr> <td>Maximum pressure</td> <td>kPa</td> <td>1,000</td> </tr> <tr> <td>Flow rate</td> <td>l/min</td> <td>7.5</td> </tr> <tr> <td>On-site threaded union in accordance with (flat seal): - DIN 44991 - AS 3688 (for AU and NZ)</td> <td>Inch</td> <td>3/4" male thread</td> </tr> <tr> <td>Length of demin. water inlet hose</td> <td>m</td> <td>Approx. 1.7</td> </tr> </table> <p>For Great Britain and Ireland:</p> <p>Connection to a drinking water supply requires the installation of an additional WRAS approved non-return device.</p> <p>For Australia and New Zealand:</p> <p>The demineralised water supply system must meet local and national regulations and include a backflow prevention device at first point on entry when connected to potable water.</p>	Maximum temperature	°C	65	Minimum flow pressure	kPa	200	Minimum flow pressure with extended water intake	kPa	30	Maximum pressure	kPa	1,000	Flow rate	l/min	7.5	On-site threaded union in accordance with (flat seal): - DIN 44991 - AS 3688 (for AU and NZ)	Inch	3/4" male thread	Length of demin. water inlet hose	m	Approx. 1.7										
Maximum temperature	°C	65																															
Minimum flow pressure	kPa	200																															
Minimum flow pressure with extended water intake	kPa	30																															
Maximum pressure	kPa	1,000																															
Flow rate	l/min	7.5																															
On-site threaded union in accordance with (flat seal): - DIN 44991 - AS 3688 (for AU and NZ)	Inch	3/4" male thread																															
Length of demin. water inlet hose	m	Approx. 1.7																															

(AW)	Waste water	Drainage temperature	°C	93
		Length of drain hose	m	Approx. 1.4
		Max. drain hose extension	m	Approx. 4.0
		Max. drain pump head height from base of machine	m	1.0
		Max. transient flow rate	l/min	16
		On-site sleeve for drain hose (dia. x length)	mm	22 x 30
	It is advisable to lay the drain hose in a curve min. 600 mm above floor level to the drainage point.			
(DS)	External dispensing (optional) (note machine model)	Connection for up to two dispensing units for liquid agents on the back panel.		
(NW)	Network/printer connection (optional)	Optional machine interface for transmission of process data or for connecting a printer. Communication module (not supplied) Ethernet module or RS232 module (install electrical sockets near machine if required) Connections/installation must comply with: - IEC 60950 - AS/NZS 60950 (for AU and NZ)		
	Machine feet	Height-adjustable	mm	-0/+60
		Machine foot diameter	mm	35
		Machine foot socket	M	8
	Heat dissipation rate to installation site	Heat dissipation through heat radiation	kWh/h	0.35
		Load heat dissipation on removal	kWh/h	0.40
	Machine data	Undercounter height	mm	820
		Height incl. lid	mm	835
		Width	mm	598
		Depth	mm	598
		Door height	mm	622
		Net weight	kg	78
		Floor load in operation	N	1,200
		Min. access width, incl. transport pallet	mm	670
		Min. access depth incl. transport pallet	mm	740
		Min. access height, incl. transport pallet	mm	920
	Installation conditions	Permissible ambient temperature	°C	5-40
		Maximum relative humidity	%	80
		Max. installation above sea level	m	1,500
<p>It is essential to observe the installation instructions when installing the washer-disinfector.</p> <p>In order to reduce the risk of steam damage, the area around the washer-disinfector should be limited to furniture and fittings that are designed for use in commercial environments.</p> <p>Installation should only be performed by qualified fitters in accordance with valid regulations, relevant standards and health and safety directives.</p> <p>All rights reserved. Measurements in mm</p>				

