

Installation plan



Washer-disinfector

PG 8582 CD

PG 8583 CD

M.-Nr. 10 390 620

en – GB, IE

Installation notes



Please read and observe the instructions in the operating instruction manual and the service documents regarding installation and setting up of this washer-disinfector.

Installation requirements

This machine must be installed by a suitably qualified person with **the appropriate electrical and plumbing qualifications** in accordance with the installation instructions supplied.

This machine must be installed in accordance with all applicable standards and guidelines, including legal requirements and health and safety regulations.

The machine must be **commissioned** and operatives trained in its use by Miele Service or by an approved Miele Service Partner only.

Environmental requirements

Condensate can build up in the area surrounding the machine. Any furniture and fittings in the room must therefore be suitable for purpose. If the machine is fitted under a suitable worktop (built-under model), a stainless steel panel must be fitted above the door aperture to protect the worktop from moisture damage. A suitable stainless steel cover plate is available to order from Miele.

Electrical connection

Connection to the electrical supply must be carried out in accordance with local and national safety regulations (e.g. BS 7671 in the UK). The connection cable must be protected from the risk of thermal damage.

We recommend connecting the machine to the power supply via a suitable IP 44 plug and socket as this will make it easier to carry out the electrical safety test during commissioning and after any service work. For hard-wired machines, connection should be made via a suitable mains switch with all-pole isolation, which in the off position ensures a 3 mm gap between all open contacts.

The plug and socket as well as the mains switch must be easily accessible after the machine has been installed.

Equipotential bonding and earthing

For added safety the machine should be protected with a residual current device with a trip current of 30 mA.

Equipotential bonding should be carried out if required. The screw connection point for equipotential bonding is located at the back of the machine. Equipotential bonding and earthing must be carried out before the machine is commissioned.

Plumbing

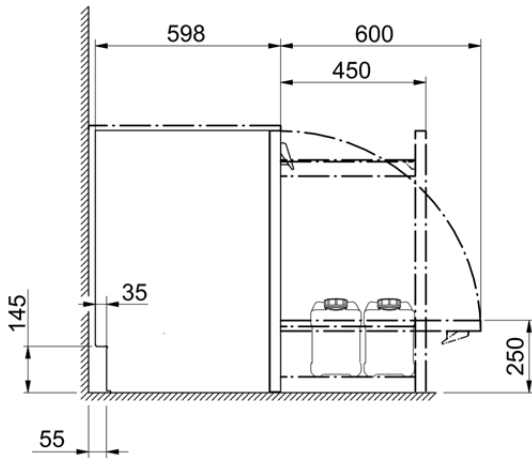
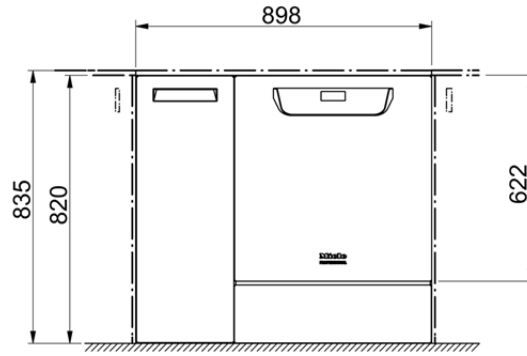
The machine can be plumbed in to the cold water, hot water, demineralised water and drainage points without a backflow protection device.

Use the **Y-connector supplied with the machine to connect the water intake to the machine (KW) and the steam condenser (DK)**.

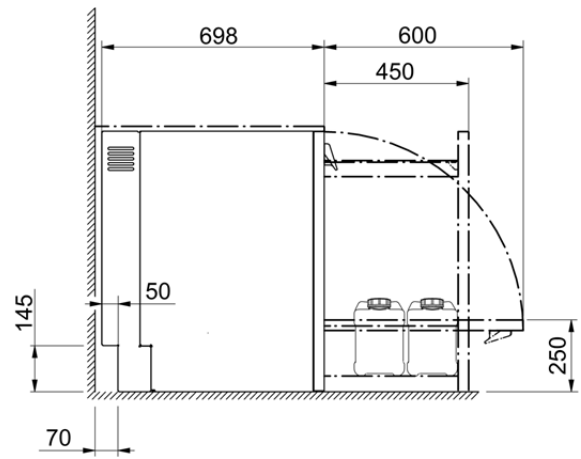
Alternatively you can provide an additional cold water supply to connect the steam condenser to.

Communication modules

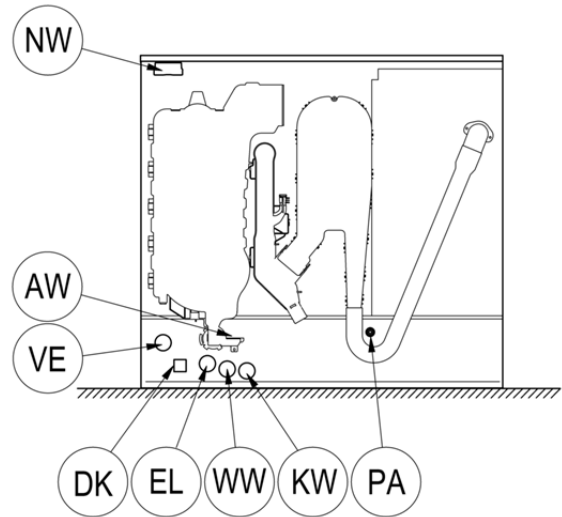
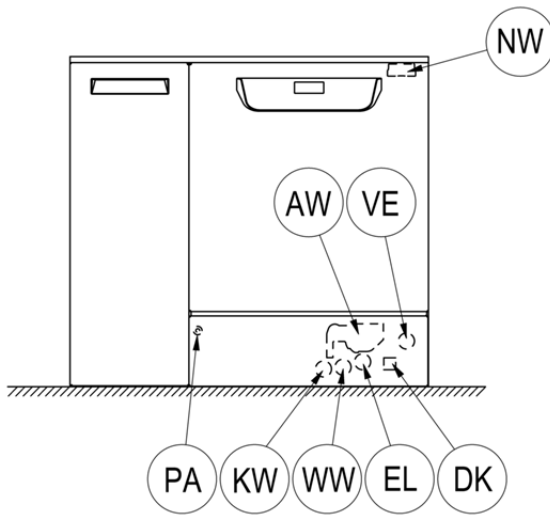
Ethernet and RS232 communication modules are available as optional extras. They are not supplied with the machine. The junction box for these should be installed near the machine for transferring and printing process data. These must be installed and connected in accordance with IEC 60950.



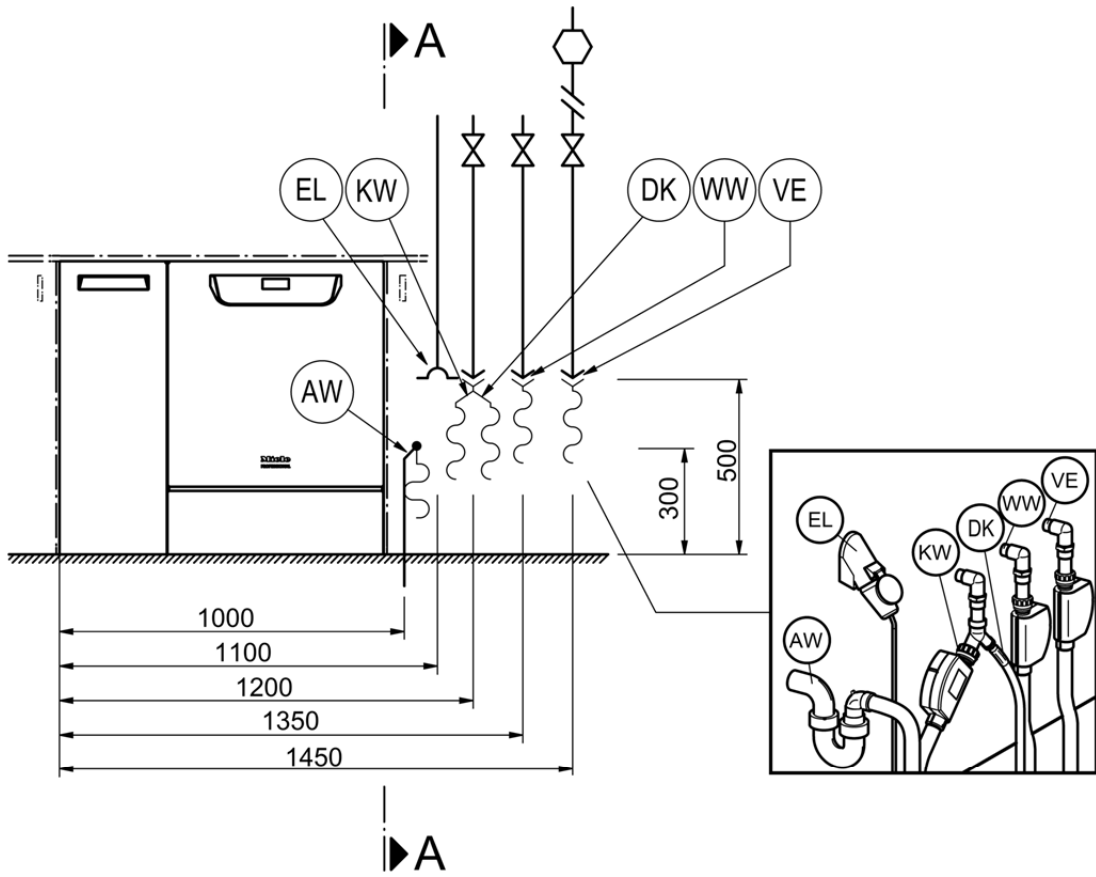
Dimensions: standard



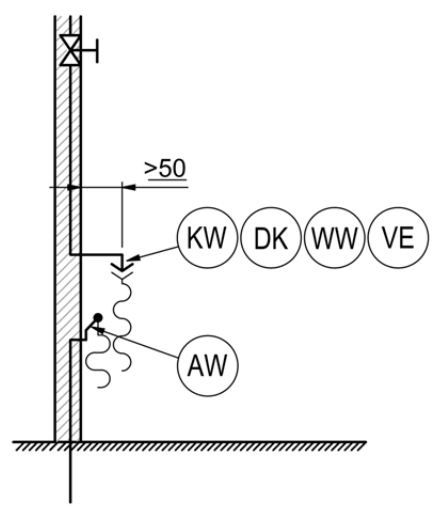
Dimensions: extended depth



EL	Electrical supply cable	WW	Hot water connection
KW	Cold water connection	AW	Waste water
DK	Cold water connection, steam condenser	VE	Demineralised water connection
NW	Network and printer connection (optional)	PA	Equipotential bonding

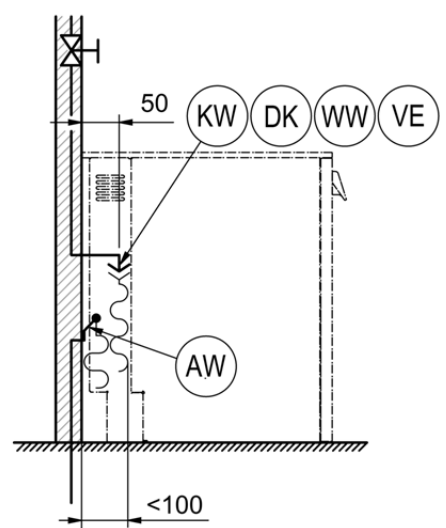


A - A



Connection points

A - A



on machines with increased depth

EL	Electrical supply cable	WW	Hot water connection
KW	Cold water connection	AW	Waste water
DK	Cold water connection, steam condenser	VE	Demineralised water connection
NW	Network and printer connection (optional)	PA	Equipotential bonding

Electrical supply cable**PG 8582 CD****PG 8583 CD**

Voltage (standard version)	V/Hz	AC 230/50	AC 230/50
Total connected load	kW	6,3	6,3
Fuse rating	A	1 x 30-32	1 x 30-32
Connection cable, min. cross-sectional area	mm ²	3 x 4	3 x 4
Length of mains connection cable (H05(07)RN-F)	m	1,9	1,9

Voltage (convertible)	V/Hz	3N AC 400/50	3N AC 400/50
Power rating	kW	9.3	9.3
Fuse rating	A	3 x 16	3 x 16
Connection cable, min. cross-sectional area	mm ²	5 x 2.5	5 x 2.5
Length of mains connection cable (H05(07)RN-F)	m	1.8	1.8

Cold water**PG 8582 CD****PG 8583 CD**

Maximum temperature	°C	20	20
Max. water hardness	mmol/l	12.6	12.6
	°dH	70	70
Minimum flow pressure	kPa	200	200
Minimum flow pressure with extended water intake	kPa	100	100
Maximum pressure	kPa	1000	1000
Flow rate	l/min	7.5	7.5
On-site threaded union in accordance with DIN 44991 (flat sealing)	inches	3/4"	3/4"
Length of cold water inlet hose	m	1.7	1.7
Length of steam condenser inlet hose	m	1.7	1.7

Hot water**PG 8582 CD****PG 8583 CD**

Maximum temperature	°C	65	65
Max. water hardness	mmol/l	12.6	12.6
	°dH	70	70
Minimum flow pressure	kPa	200	200
Minimum flow pressure with extended water intake	kPa	40	40
Maximum pressure	kPa	1000	1000
Flow rate	l/min	7.5	7.5
On-site threaded union in accordance with DIN 44991 (flat sealing)	inches	3/4"	3/4"
Length of hot water inlet hose	m	1.7	1.7

Demineralised water

PG 8582 CD

PG 8583 CD

Maximum temperature	°C	65	65
Minimum flow pressure (AD pressure resistant)	kPa	200	200
Minimum flow pressure with extended water intake	kPa	30	30
Maximum pressure (AD pressure resistant)	kPa	1000	1000
Flow rate	l/min	7.5	7.5
On-site threaded union in accordance with DIN 44991 (flat sealing)	inches	3/4"	3/4"
Length of demin. water inlet hose	m	1.7	1.7

Machines with a booster pump for demineralised water (ADP) are only suitable for connection/use with a non-pressurised system.

Minimum flow pressure (AD unpressurised)	kPa		8.5
Maximum pressure (AD unpressurised)	kPa		60
Machine connection nipple (outer dia. x l)	mm		6 x 30

Waste water

PG 8582 CD

PG 8583 CD

Drainage temperature	°C	93	93
Drain hose length, standard	m	1.4	1.4
Drain hose, max. drainage length	m	4.0	4.0
Max. drain pump head height from bottom edge of machine	m	1.0	1.0
Max. transient flow rate	l/min	16	16
On-site sleeve for drain hose (dia. x length)	mm	22 x 30	22 x 30

Machine feet

PG 8582 CD

PG 8583 CD

Height adjustment at the front	mm	0-8	0-8
Diameter of machine feet	mm	35	35
Machine feet thread	mm	8	8

Machine data

PG 8582 CD

PG 8583 CD

Undercounter height	mm	820	820
Height including lid	mm	835	835
Width	mm	898	898
Depth	mm	598	598
Depth incl. 10 cm extended building-in space	mm	698	698
Door height	mm	622	622
Net weight	kg	98	98
Floor load in operation	N/m ²	2000	2000
Min. access width, incl. transport pallet	mm	1170	1170
Min. access depth incl. transport pallet	mm	740	740
Min. access height, incl. transport pallet	mm	1000	1000
Sound emissions in dB (A), Sound pressure LpA, washing and drying	dB	< 70	< 70

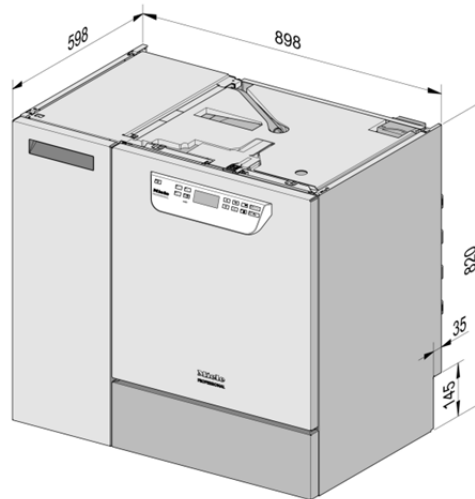
Heat dissipation rate to installation site

		PG 8582 CD	PG 8583 CD
From heat radiation during operation	kWh	0.35	0.35
From load whilst unloading	kWh	0.40	0.40

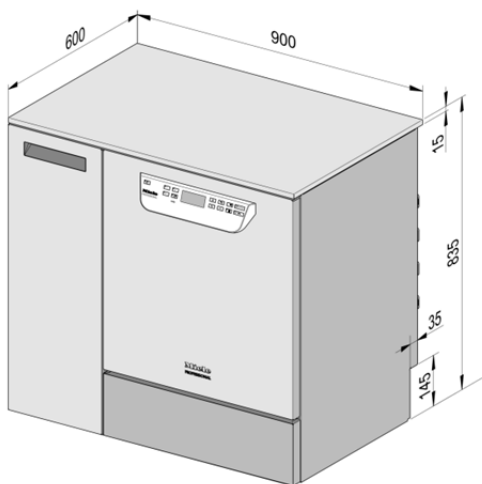
Installation requirements

		PG 8582 CD	PG 8583 CD
Permissible ambient temperature	°C	5 - 40	5 - 40
Max. rel. humidity up to 31°C	%	80	80
Rel. humidity, declining proportionally up to 40°C	%	50	50
Max. installation above sea level	Altitude in m	1500	1500

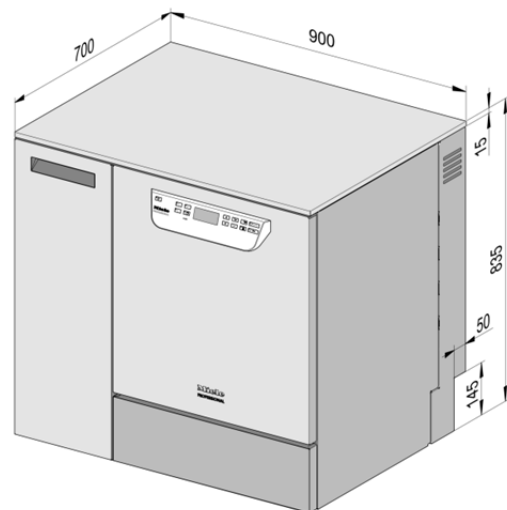
Machine versions



Standard undercounter model



Model with lid (optional)



Model with increased depth and lid (optional)



Manufacturer:

Miele & Cie. KG
Carl-Miele-Straße 29
33332 Gütersloh
Germany

Manufacturing site:

Miele & Cie. KG
Mielestraße 2
33611 Bielefeld
Germany

Internet: www.miele-professional.com