

Reprocessing of transmission instruments in Miele thermal disinfectors

A 803 holder for transmission instruments

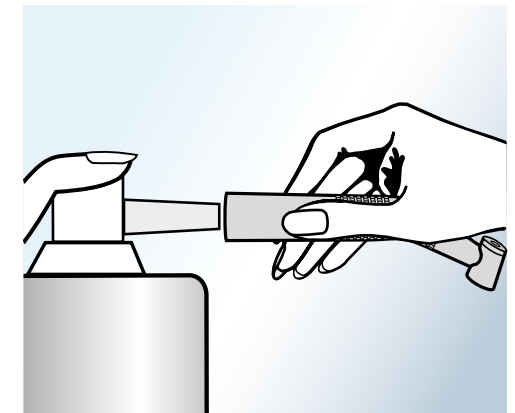
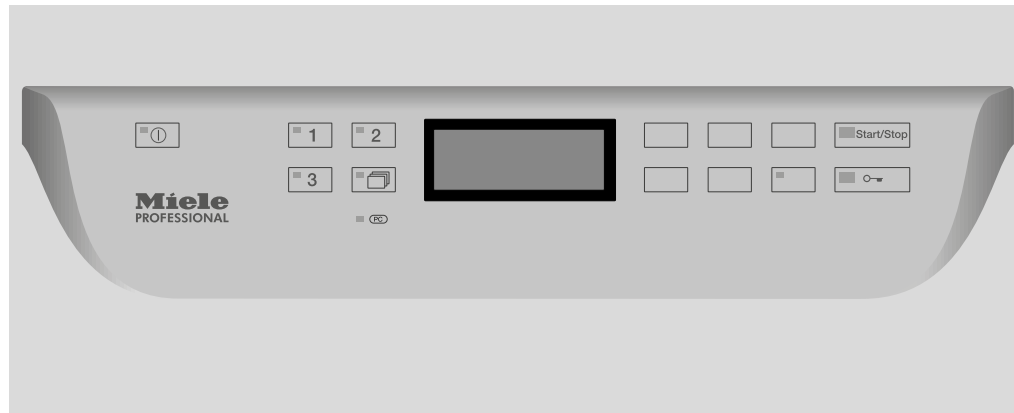
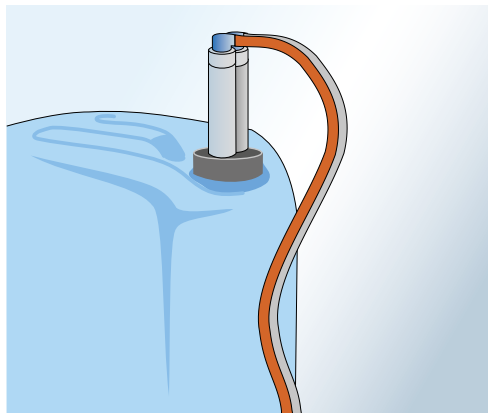
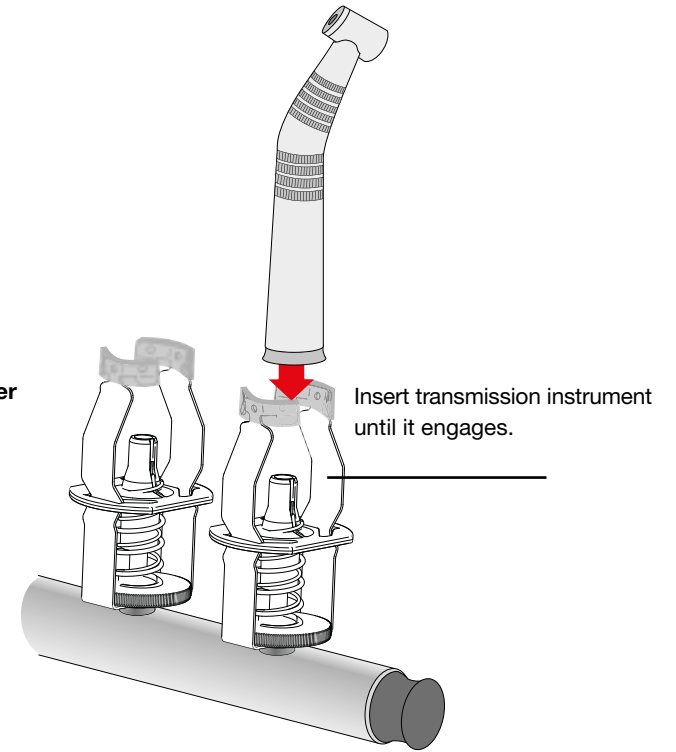
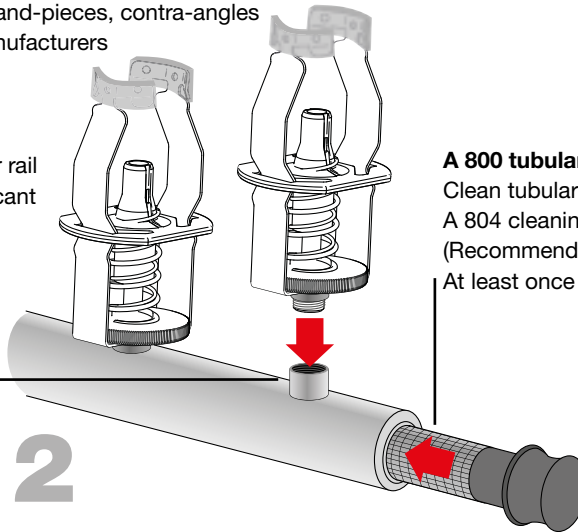
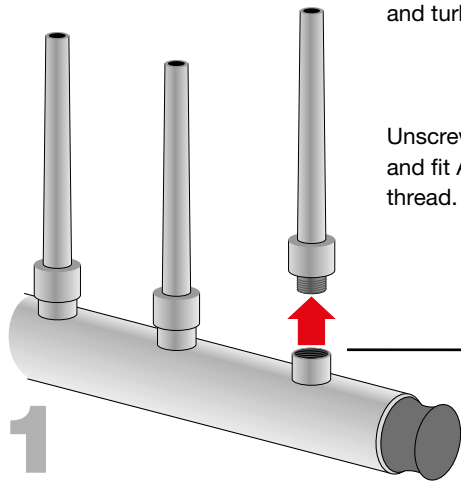
Suitable for a wide range of hand-pieces, contra-angles and turbines from various manufacturers

Unscrew nozzles from injector rail and fit A 803 adapter onto vacant thread.

A 800 tubular filter/central filter

Clean tubular filters with A 804 cleaning brush (Recommendation: At least once a week)

Insert transmission instrument until it engages.



- Use liquid, pH-neutral to mildly alkaline, non-mineral detergent and neutralising agent based on citric acid and surfactant

- Wash and disinfect transmission instruments in the Vario TD Dental programme

- Follow manufacturer's instructions on the care and, where appropriate, sterilisation of transmission instruments after reprocessing.