

# Installationsplan / Installation plan

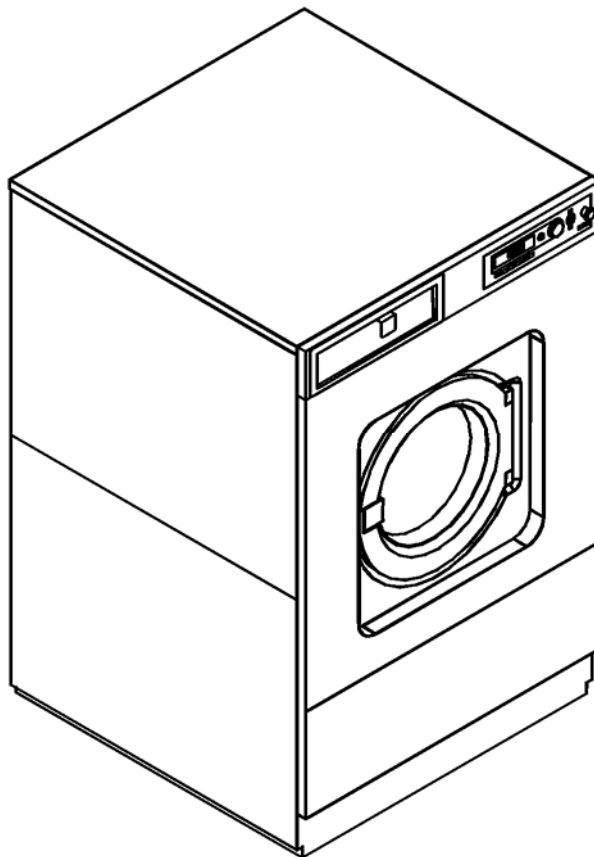
Installatietekening  
Plan d'installation  
Pianta di installazione

Plano de instalación  
Plano de instalação  
Σχέδιο εγκατάστασης

Asennusohje  
Installasjonsplan  
Installationsplan

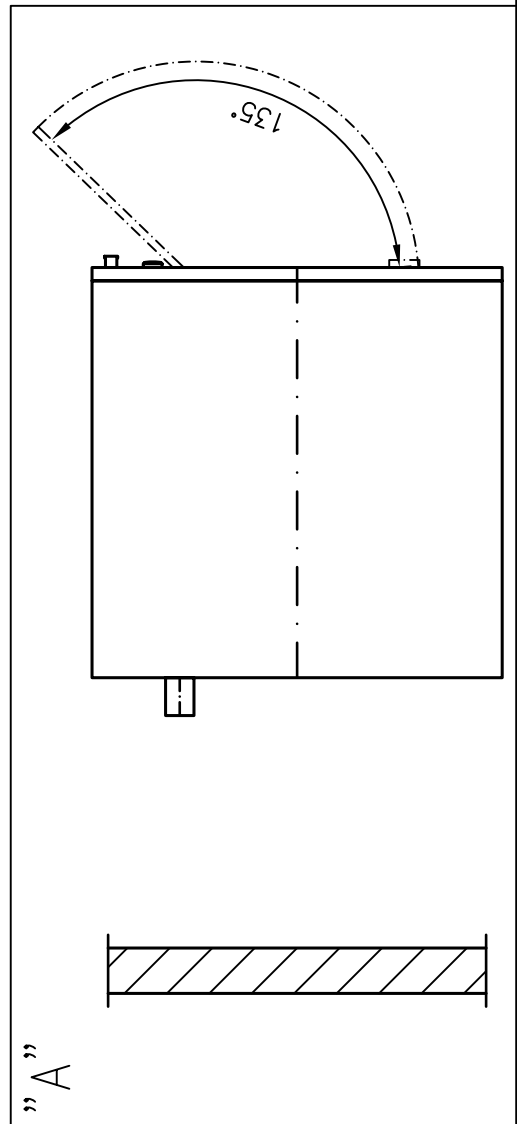
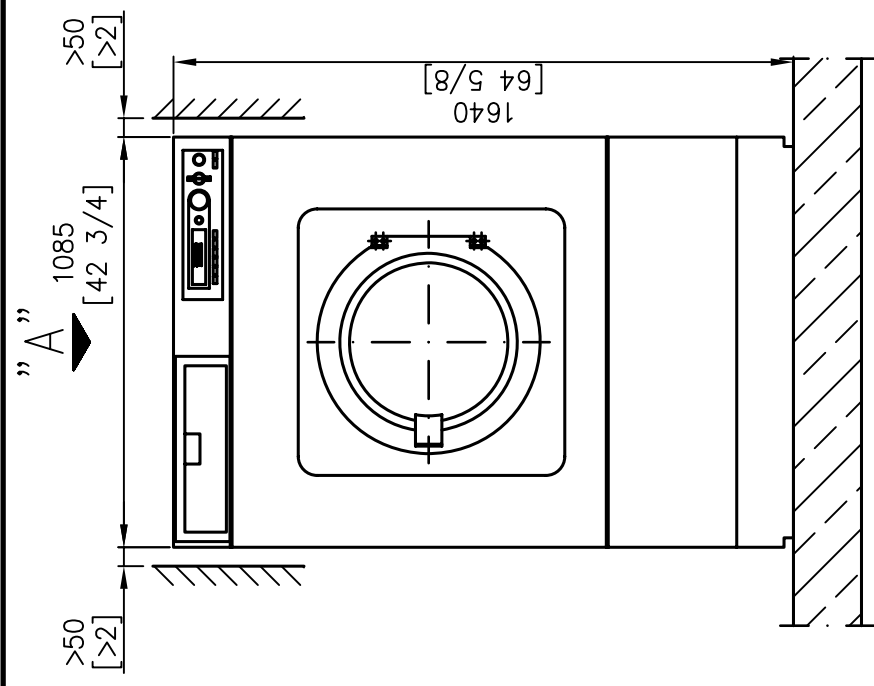
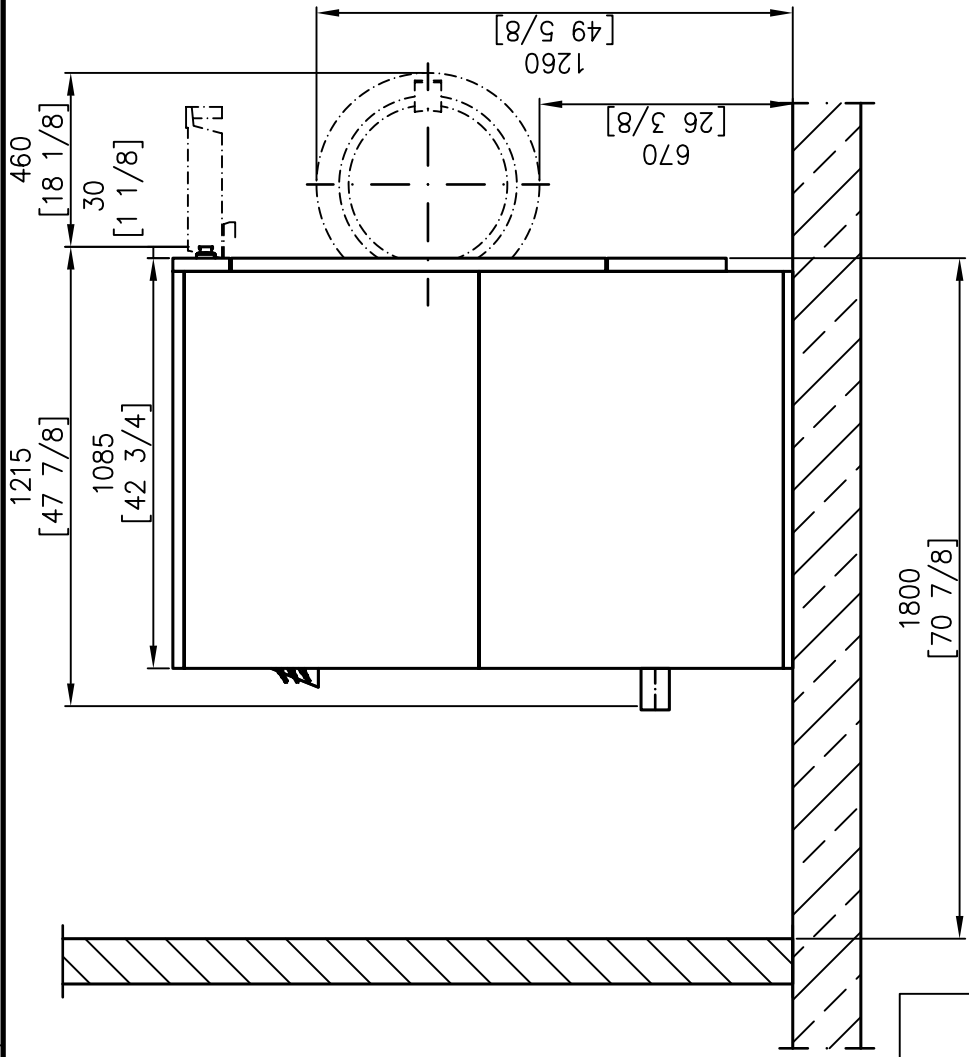


## PW 6241 D



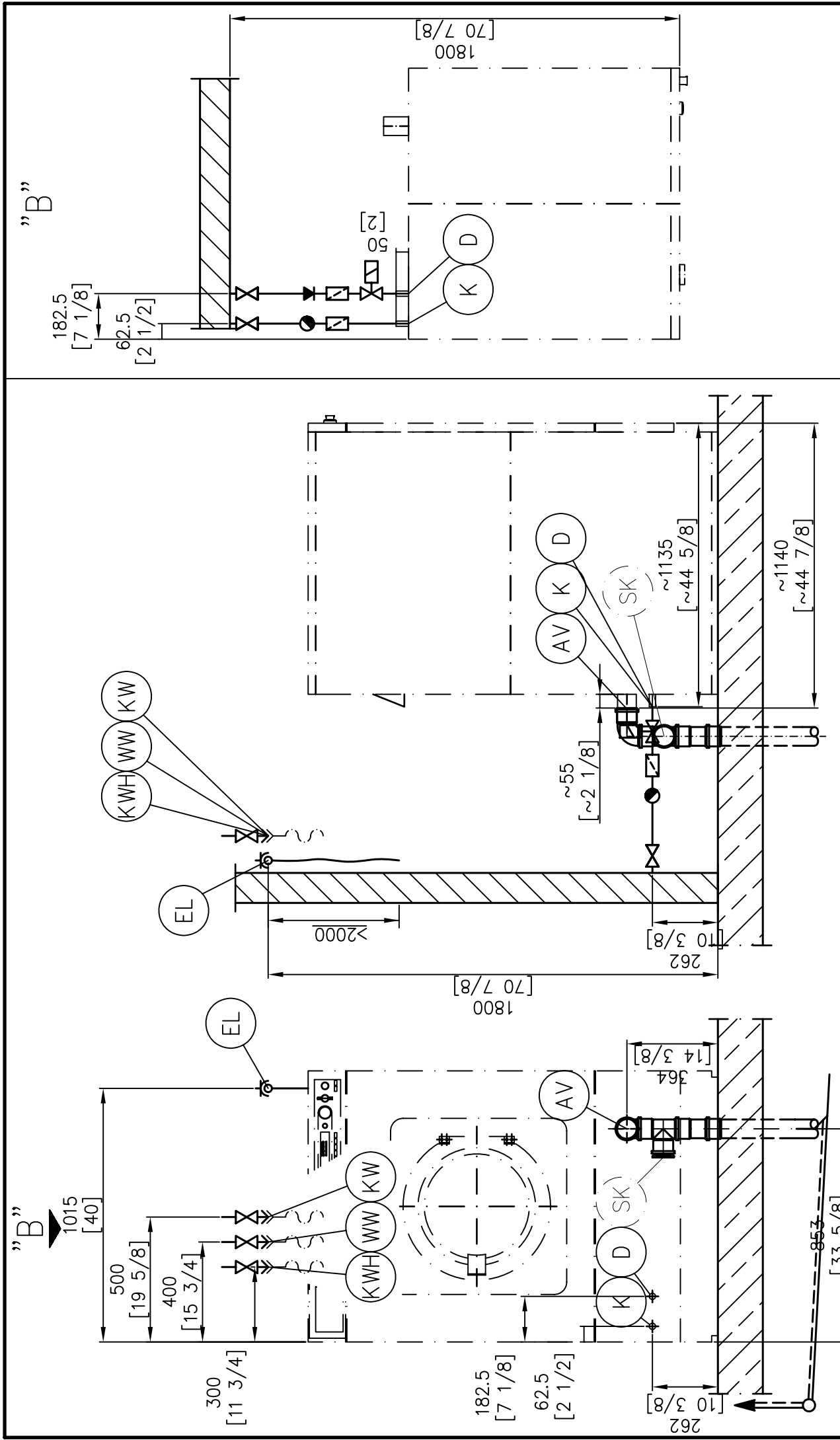
Materialnummer	/	Mat. no.:	06 564 000
Änderungsstand	/	Version:	01
Datum Zeichnung	/	Drawing date:	19.10.2007
Datum Legende	/	Legend date:	19.10.2007





Installationsplan/Installation plan  
Waschmaschine/Washer  
PW 6241 D

Date:	19.10.2007
Page:	3
Name:	SB



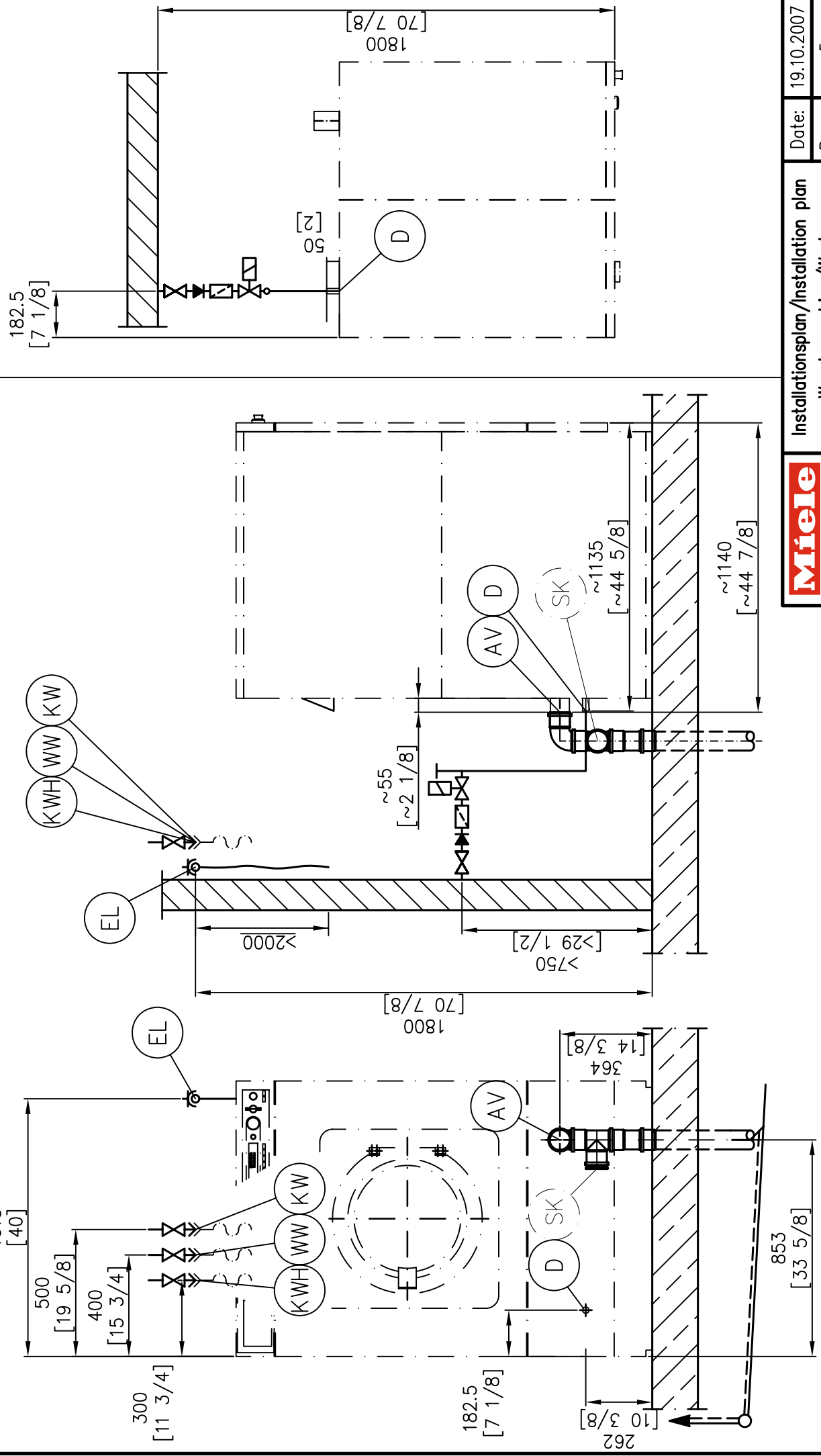
**Miele**  
PROFESSIONAL

Installationsplan/Installation plan  
Waschmaschine/Washer  
PW 6241 D (indirekt)

Date:	19.10.2007
Page:	4
Name:	SB

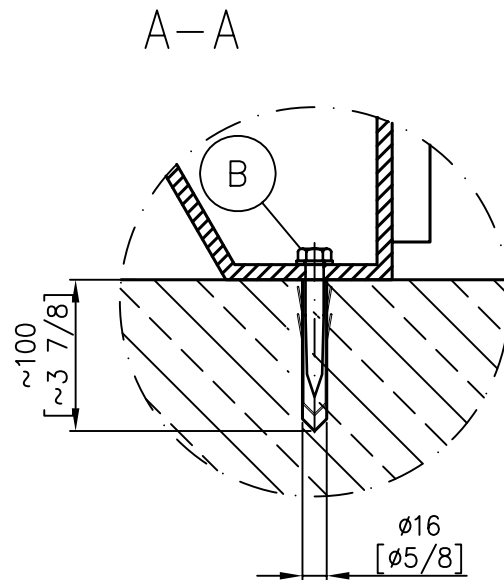
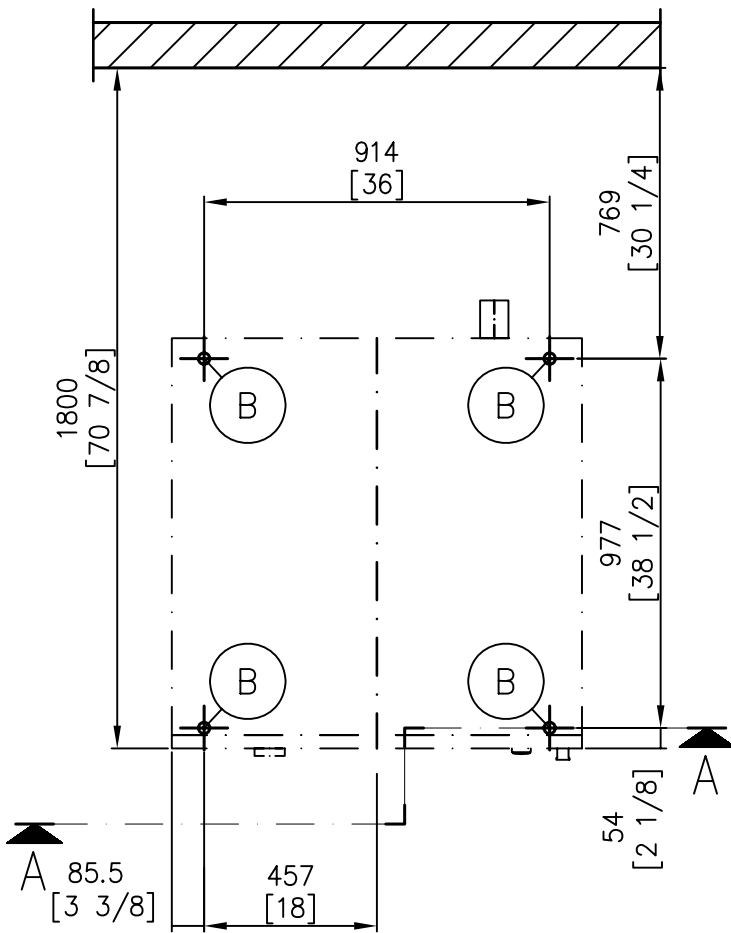
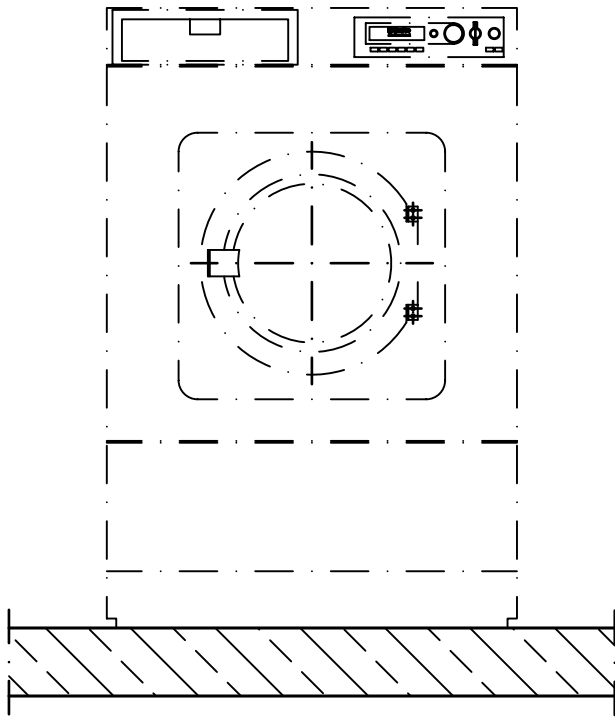
”C”

”C”



Installationsplan/Installation plan  
 Waschmaschine/Washer  
 PW 6241 D (direkt)

Date:	19.10.2007
Page:	5
Name:	SB



**Technical datasheet**



Washer:  
Heating:

PW 6241  
Steam

Legend:



Circled, bold-typed abbreviations:  
Connection required



Abbreviations surrounded by broken circle:  
Connection optional or required, depending on model



**Options/Accessories:**

WI	Special product	With integrated scale		
----	-----------------	-----------------------	--	--

**Machine connections:**

<b>EL</b>	Electrical connections		<b>USA</b>	<b>CDN</b>
	 	Standard voltage (delivery status) * Frequency Rated load Fuse rating Supply lead, wire size * If power supply includes a stinger leg, please call Technical Service at USA 1-800-991-9380 CDN 1-800-643-5361	3 AC 208 V 60 Hz 4.3 kW 3 x 15 A 14 AWG	3 AC 208 V 60 Hz 4,3 kW 3 x 15 A 4 x 1,5 mm <sup>2</sup>
		Alternative voltage Frequency Rated load Fuse rating Supply lead, wire size	reversible	3 AC 220-240 V 50-60 Hz 4.3 kW 3 x 15 A 14 AWG

			USA	CDN
(D)	Steam connection	Indirect steam (page 4) Steam pressure Steam pressure on dryer version Boiling point Heating capacity Steam supply capacity Connection thread (on-site)  Steam valve, steam filter and steam faucet must be provided on-site.	58 - 145 psi 58 - 72.5 psi 306 - 363 °F 50 kW 185 lbs/h 1/2" MPT	58 - 145 psi 58 - 72,5 psi 152 - 184 °C 50 kW 84 kg/h 1/2" MPT
		Direct steam (page 5) Steam pressure (High pressure) Boiling point (High pressure) Heating capacity (High pressure) Steam supply capacity (High pressure) Steam pressure (Low pressure) Boiling point (Low pressure) Heating capacity (Low pressure) Steam supply capacity (Low pressure) Connection thread (on-site)  Steam valve, steam filter, steam faucet and non-return valve must be provided on-site.  Note installation instructions for steam-heated Miele washer-extractors.	≤ 58 psi ≤ 306 °F 86 kW 308 lbs/h ≤ 7.25 psi ≤ 84 °F 29 kW 99.2 lbs/h 3/4" MPT	≤ 58 psi ≤ 152 °C 86 kW 140 kg/h ≤ 7,25 psi ≤ 120 °C 29 kW 45 kg/h 3/4" MPT
(K)	Condensate connection	Indirect steam (page 4) Connection thread (on-site)  Steam valve, steam filter and steam faucet must be provided on-site.	1/2" MPT	1/2" MPT
(KW)	Cold water (Soft water)	Min. flow pressure Max. pressure Max. throughput (if hot water supply is not available) On-site connection thread Length of connection hose (supplied) Water requirements (average 140°F [60°C] program) Standard connection (with hot water connection)  Additional requirements if hot water supply is not available.	14.5 psi 145 psi 9.4 (21) gal/min 1" MPT 59 1/16"  approx. 16.1 gal/h	14,5 psi 145 psi 35.5 (80) l/min 1" MPT 1.500 mm  approx. 61 l/h
(WW)	Hot water	Max. temperature Min. flow pressure Max. pressure Max. throughput On-site connection thread Length of connection hose (supplied) Water requirements (average for 140°F [60°C] program) Standard connection (with hot water connection)  If no hot water supply, connect hose to cold water!	158 °F 14.5 psi 145 psi 7.93 gal/min 1" MPT 59 1/16"  approx. 15.3 gal/h	70 °C 14,5 psi 145 psi 30 l/min 1" MPT 1.500 mm  approx. 58 l/h
(KWH)	Mains water (Raw water) (Optional)	Min. flow pressure Max. pressure Max. throughput On-site connection thread Length of connection hose (supplied) Water requirements (average for 140°F [60°C] program) Standard connection (with hot water connection)  If no raw water supply, connect hose to cold water!	14.5 psi 145 psi 10.6 gal/min 1" MPT 59 1/16"  approx. 57.9 gal/h	14,5 psi 145 psi 40 l/min 1" MPT 1.500 mm  approx. 219 l/h



			USA	CDN
(AV)	Drainage via dump valve	<p>Max. temperature Machine drain connection (d<sub>a</sub> × s × l) On-site drain connection (d<sub>i</sub>) Max. throughput</p> <p>Vented drainage required. If ventilation is insufficient, fit Miele kit, Mat. no. 05238090. Drain manifolds serving several machines must be of sufficient cross-section.</p>	<p>203 °F 3" x 1/16" x 4" 3" 52.8 gal/min</p>	<p>95 °C 75 × 1,9 × 100 mm 75 mm 200 l/min</p>
(SK)	Foam vent	A drainage system for foam escaping from the drain vent can be built using standard drain pipe sections. A 87° branch with an end cap should be provided for this purpose.		
(B)	Fittings (supplied)	<p>Without plinth 2 × screws (Diameter × length) 2 × wall anchors (Diameter × length) Machine must be secured! Fixing materials provided for securing to concrete floor</p>	<p>1/2" x 3 9/16" 5/8" x 3 9/16"</p>	<p>12 × 90 mm 16 × 90 mm</p>
	Special product WI:	<p>Without plinth 4 × screws (Diameter × length) 4 × wall anchors (Diameter × length) Machine must be secured! Fixing materials provided for securing to concrete floor</p>	<p>1/2" x 3 9/16" 5/8" x 3 9/16"</p>	<p>12 × 90 mm 16 × 90 mm</p>
	Machine data	<p>Width Depth Height Knocked-down dimensions (Width) Recommended clearance to rear wall (to machine front edge) Net weight Dynamic floor load during operation, max. Static load, max. Dynamic load max. Drum frequency, max. Average heat dissipation (depending on room temperature and selected program)</p>	<p>42 11/16" 48 1/4" 64 9/16" 42 15/16" 70 7/8" 1,410 lbs 8,417 N 7,036 N 1,353 N 18.3 Hz 1,306 W</p>	<p>1,085 mm 1,225 mm 1,640 mm 1,090 mm 1,800 mm 640 kg 8,417 N 7,036 N 1,353 N 18,3 Hz 1,306 W</p>
<p>Installation should only be carried out by authorized installers in accordance with all local and national regulations! Observe installation instructions when installing machine! All rights reserved!</p>				