

Installationsplan / Installation plan

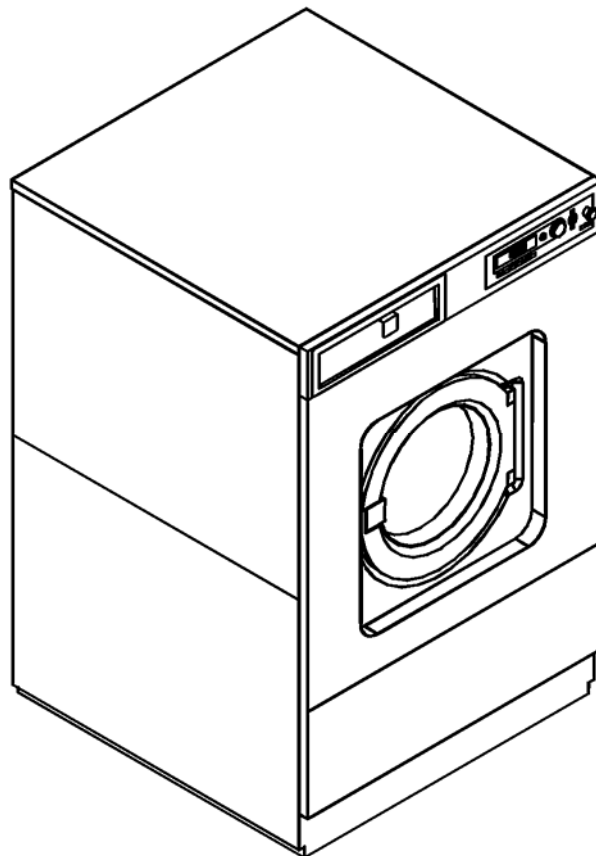
Installatietekening
Plan d'installation
Pianta di installazione

Plano de instalación
Plano de instalação
Σχέδιο εγκατάστασης

Asennusohje
Installasjonsplan
Installationsplan

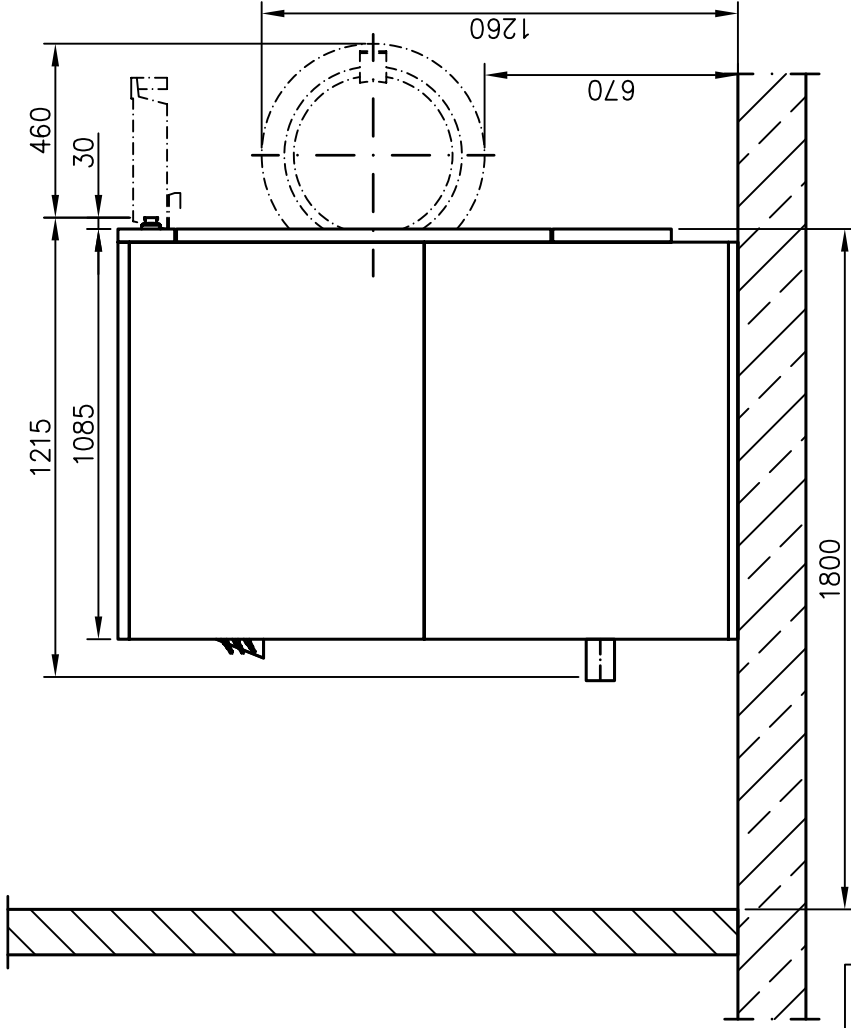
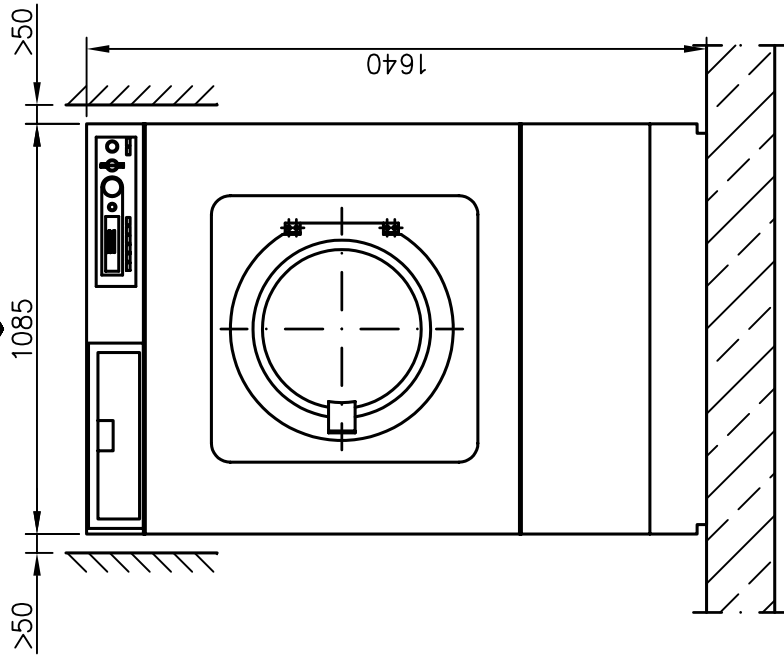


PW 6241 D

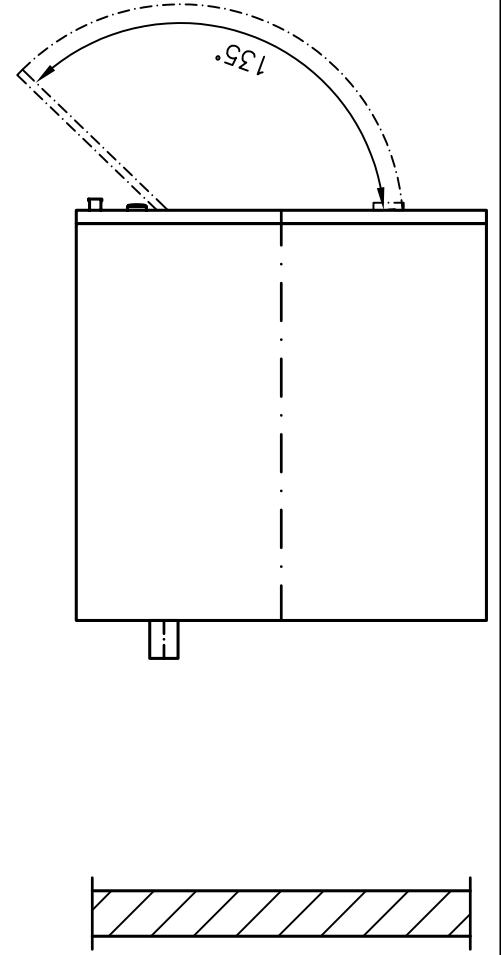


Materialnummer	/	Mat. no.:	06 563 850
Änderungsstand	/	Version:	01
Datum Zeichnung	/	Drawing date:	19.10.2007
Datum Legende	/	Legend date:	19.10.2007

” A ”



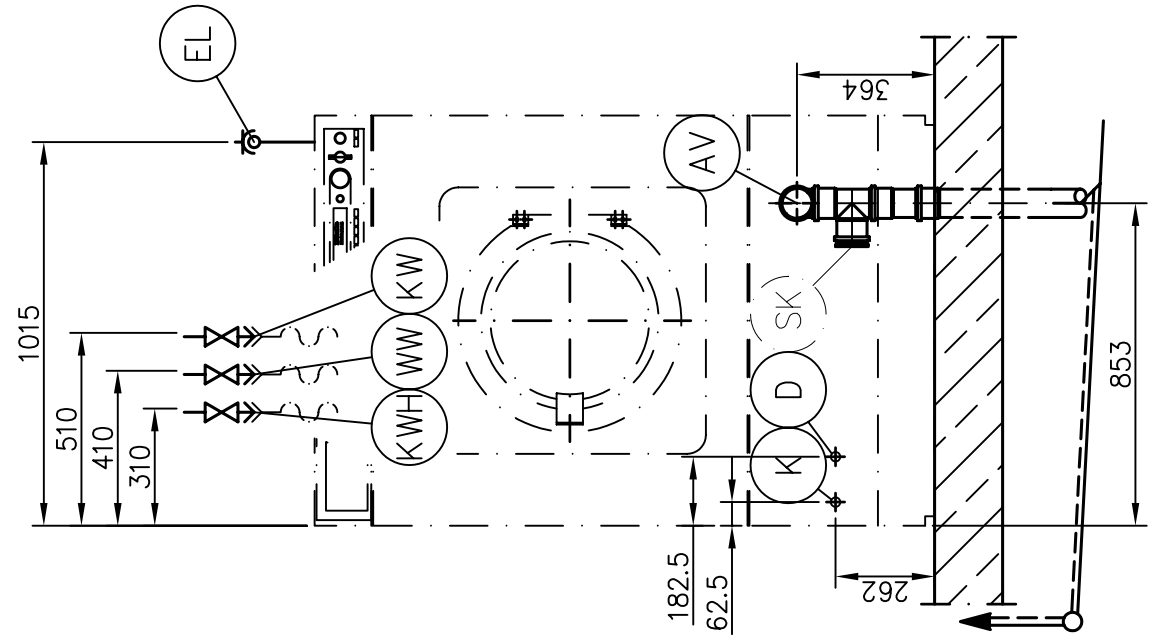
” A ”



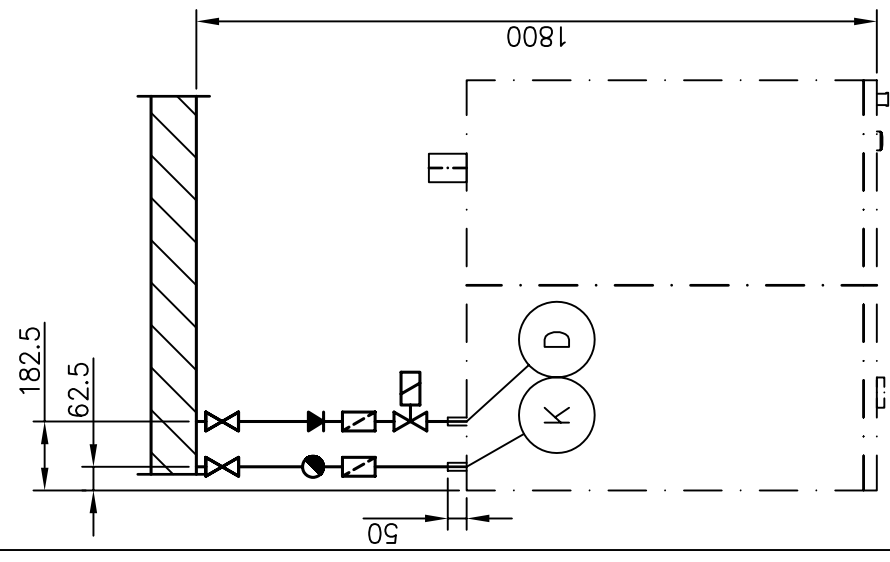
Installationsplan/Installation plan
Waschmaschine/Washer
PW 6241 D

Date:	19.10.2007
Page:	3
Name:	SB

”B”



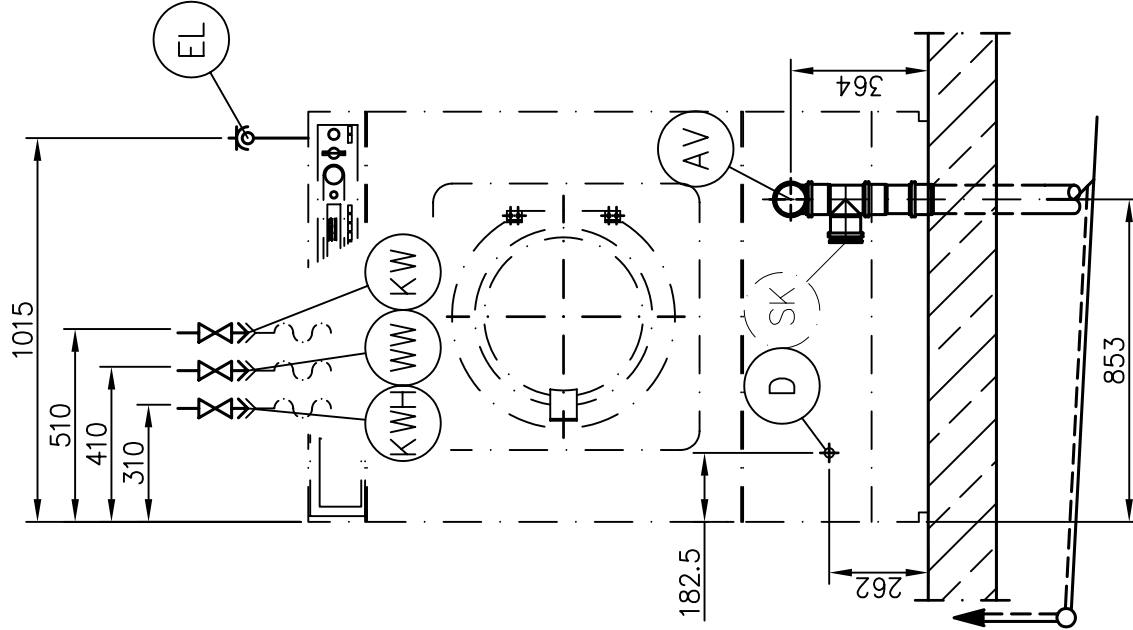
”B”



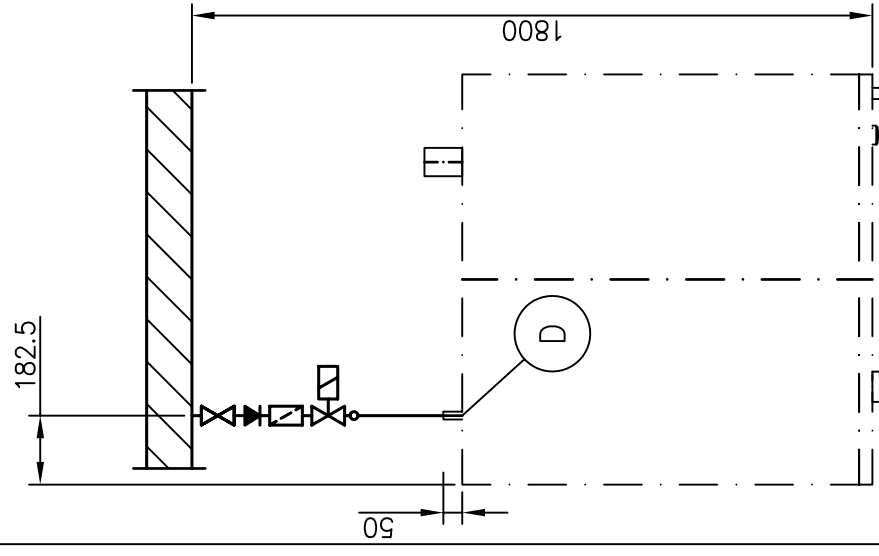
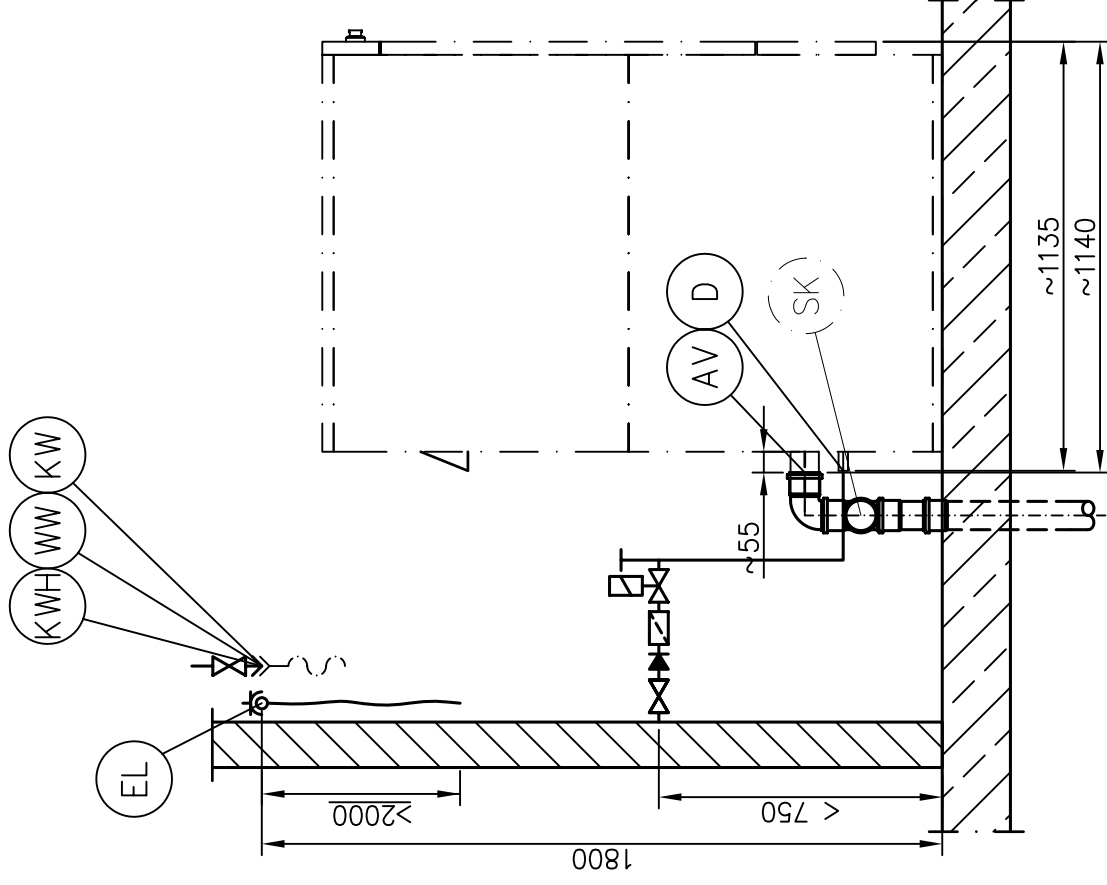
Installationsplan/Installation plan
 Waschmaschine/Washer
 PW 6241 D (indirekt)

Date:	19.10.2007
Page:	4
Name:	SB

”C”

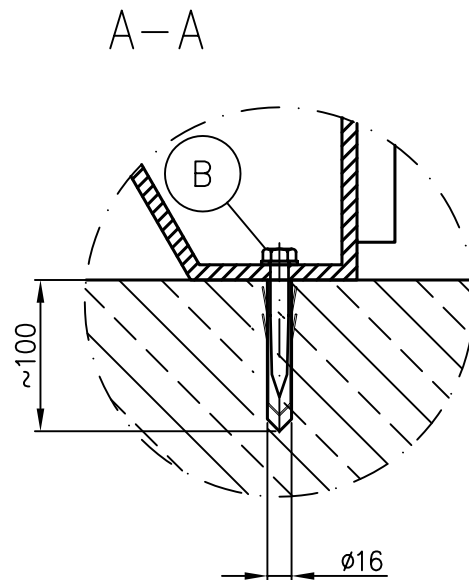
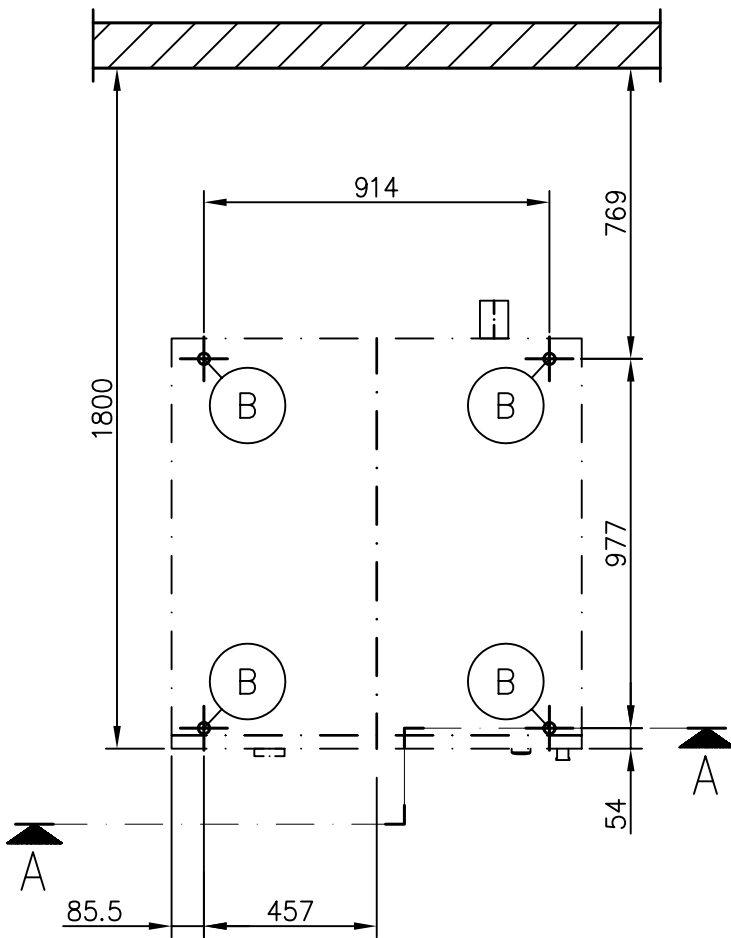
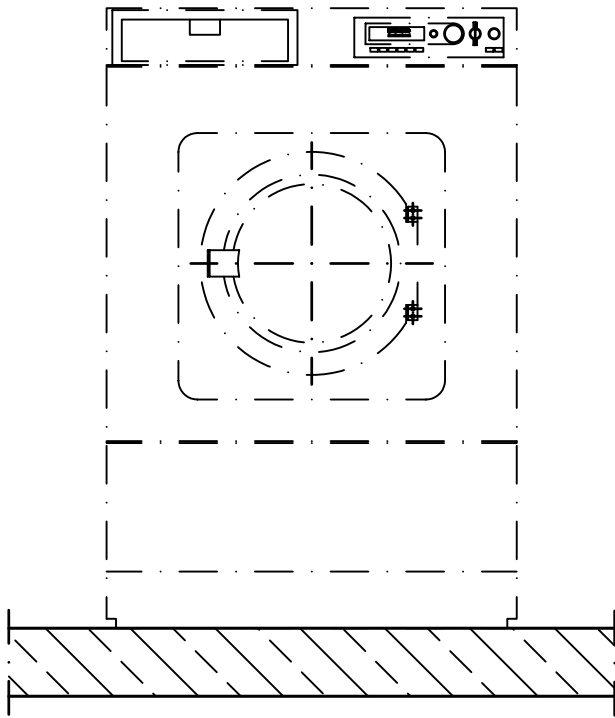


”C”



Installationsplan/Installation plan
Waschmaschine/Washer
PW 6241 D (direkt)

Date:	19.10.2007
Page:	5
Name:	SB



Technical Datasheet



Washer-extractor:
Heating:

PW 6241
Steam (D)

Legend:



Circled, bold-type abbreviations:
Connection required



Abbreviations surrounded by broken circle:
Connection optional or required, depending on model



Optional extras:

WI	Special version	With integrated weighing system		
-----------	-----------------	---------------------------------	--	--

Machine connections:

(EL)	Electrical connection	1. Standard voltage (as supplied) Frequency Rated load Fuse rating Connection cable, min. cross-section With threaded cable grommet	V Hz kW A mm ²	3N AC 380 - 415 50 - 60 4.3 3 x 16 5 x 1.5 M 20 x 1.5	
	Country variations:				
	(USA)	2. Standard voltage (as supplied) Frequency Rated load Fuse rating Connection cable, min. cross-sectional area With threaded cable grommet	V Hz kW A mm ²	3 AC 208 60 4.3 3 x 15 4 x 1.5 M 20 x 1.5	
		Alternative voltage Frequency Rated load Fuse rating Connection cable, min. cross-sectional area With threaded cable grommet	convertible	V Hz kW A mm ²	3 AC 220 - 240 50 - 60 4.3 3 x 15 4 x 1.5 M 20 x 1.5
		<p>Plug and socket connection in accordance with IEC 60309 recommended to facilitate electrical safety tests. Install mains isolator according to IEC 60947 on hard-wired connection. Wall socket or mains isolator must be accessible after installation.</p> <p>The use of an earth leakage circuit breaker (ELCB) is strongly recommended. If an ELCB is fitted, it must be a Type B RCD able to cope with rectified three-phase supplies.</p> <p>If necessary, equipotential bonding with good galvanic contact must be provided in accordance with all appropriate national and local regulations.</p>			

D	Steam connection	Indirect steam (cf. Page 4)		
		Steam pressure Steam pressure on TR version Boiling point Heater rating (on-site requirement) Steam supply (on-site requirement) Connection thread (on site)	kPa kPa °C kW kg/h Inch	400 - 1000 400 - 500 152 - 184 50 84 ½" internal thread
		Steam valve, steam filter and steam stopcock must be provided on site.		
		<i>Direct steam (cf. Page 5)</i> <i>Steam pressure (high-pressure system)</i> <i>Boiling point (high-pressure system)</i> <i>Heater rating (on-site requirement, high-pressure system)</i> <i>Steam supply (on-site requirement, high-pressure system)</i> <i>Steam pressure (low-pressure system)</i> <i>Boiling point (low-pressure system)</i> <i>Heater rating (on-site requirement, low-pressure system)</i> <i>Steam supply (on-site requirement, low-pressure system)</i> <i>Connection thread (on site)</i>	kPa °C kW kg/h kPa °C kW kg/h Inch	≤ 400 ≤ 152 86 140 ≤ 50 ≤ 120 29 45 ¾" internal thread
		Steam valve, steam filter, steam stopcock and non-return valve must be provided on site.		
		Note installation instructions for steam-heated Miele washer-extractors.		
K	Condensate connection	Indirect steam only (cf. Page 4) Condensate connection; on-site thread Steam valve, steam filter and steam stopcock must be provided on site.	Inch	½" internal thread
KW	Cold water (soft water)	Min. flow pressure Max. pressure Max. throughput (if hot water supply is not available) On-site connection thread according to DIN 44 991 Length of connection hose (parts supplied: 1 connection hose) Water requirements (average for 60°C programme) Standard connection (with hot water connection)	kPa kPa l/min Inch mm l/h	100 1000 35.5 (80) 1" external thread 1500 Approx. 61
WW	Hot water (soft water)	Max. temperature Min. flow pressure Max. pressure Max. throughput On-site connection thread according to DIN 44 991 Length of connection hose (parts supplied: 1 connection hose) Water requirements (average for 60°C programme) Standard connection (with hot water connection)	°C kPa kPa l/min Inch mm l/h	70 100 1000 30 1" external thread 1500 Approx. 58
KWH	Cold water (Hard water)	Min. flow pressure Max. pressure Max. throughput On-site connection thread according to DIN 44 991 Length of connection hose (parts supplied: 1 connection hose) Water requirements (average for 60°C programme) Standard connection (with hot water connection)	kPa kPa l/min Inch mm l/h	100 1000 40 1" external thread 1500 Approx. 219
AV	Drainage via dump valve	Max. temperature Machine drain connection (d _{ext} × s × l) [DN 70] On-site drain connection (d _{int}) [DN 70 sleeve] Max. transient throughput	°C mm mm l/min	95 75 × 1.9 × 110 75 200

		Vented drainage required. If ventilation is insufficient, fit Miele kit, Mat. no. 05238090. Drain manifolds serving several machines must be of sufficient cross-section.		
(SK)	Foam compensation	Excessive foaming may result in foam discharge through air vent. In order to dispose of this foam, a drain with U tube can be installed on site using conventional plumbing supplies. An 87° branch with an end cap should be provided for this purpose.		
(B)	Fittings (supplied)	Without plinth 4 x screws DIN 571 (Ø x length) 4 x rawl plugs (Ø x length) Machine must be bolted to the floor! Fixing materials for floating screed floor to be provided on site	mm mm	12 x 90 16 x 90
	Special version WI:	Without plinth 4 x screws DIN 571 (Ø x length) 4 x rawl plugs (Ø x length) Machine must be bolted to the floor! Fixing materials for floating screed floor to be provided on site	mm mm	12 x 90 16 x 90
	Machine data	Width Depth Height Min. access width to installation site Minimum rear wall gap (measured to front of machine) Net weight Dynamic floor load, max. Static floor load, max. Dynamic load, max. Drum frequency, max. Average heat dissipation (dependent on ambient room temperature and programme selected)	mm mm mm mm mm kg N N N Hz W	1085 1225 1640 1090 1800 640 8417 7036 1353 18.3 1306
Installation should only be carried out by authorised fitters in accordance with valid regulations! Observe installation instructions when installing machine! All rights reserved! Dimensions in mm				