

# Installationsplan / Installation plan

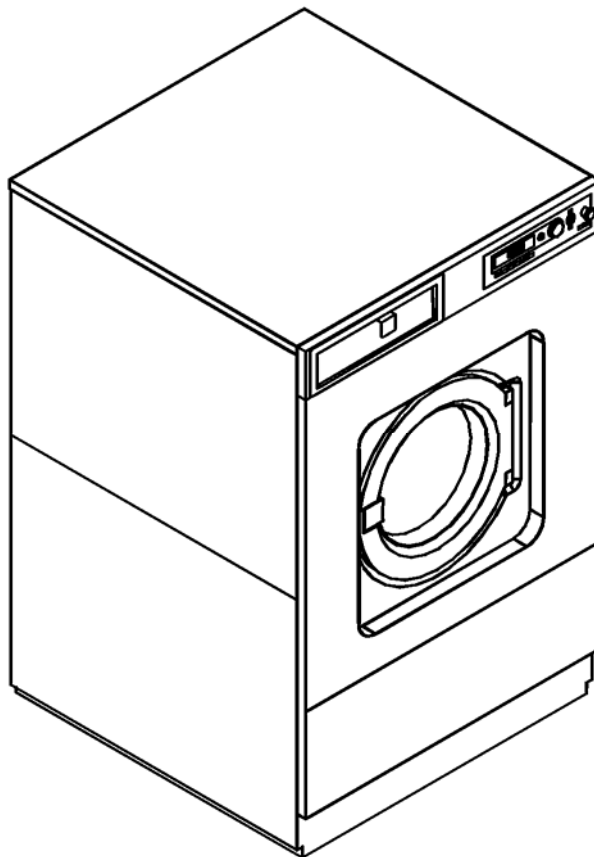
Installatietekening  
Plan d'installation  
Pianta di installazione

Plano de instalación  
Plano de instalação  
Σχέδιο εγκατάστασης

Asennusohje  
Installasjonsplan  
Installationsplan



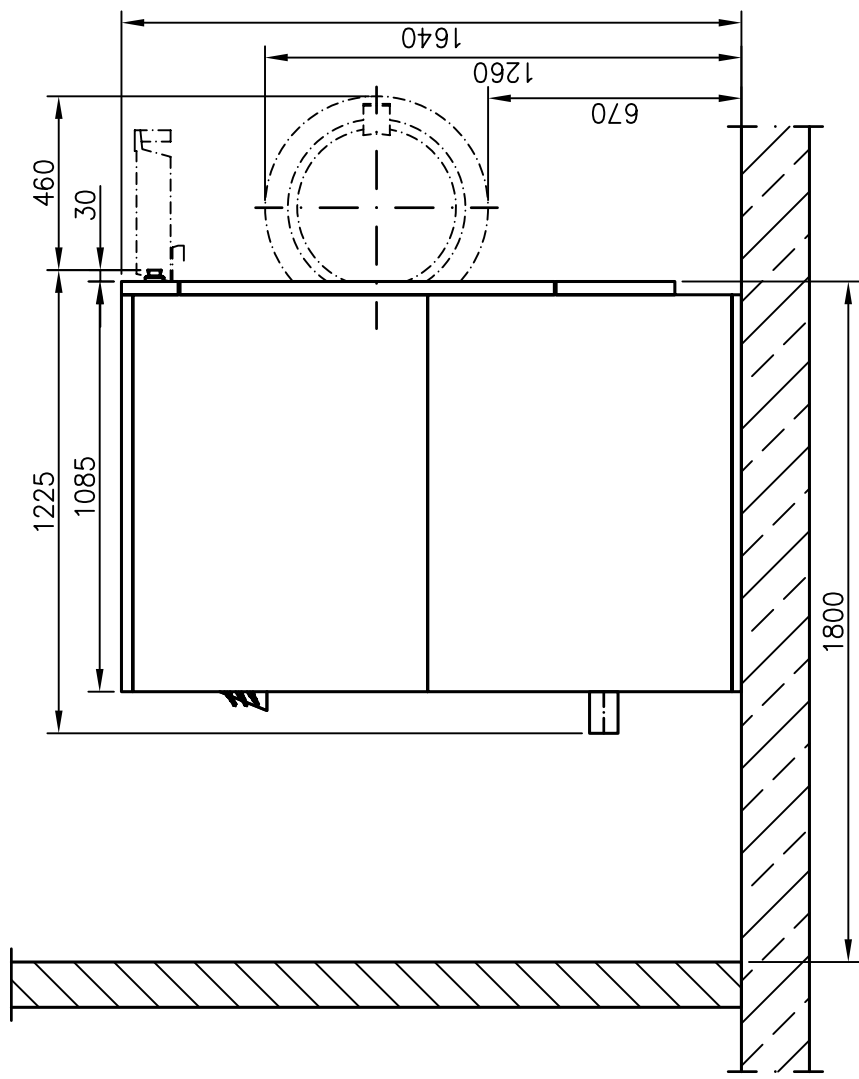
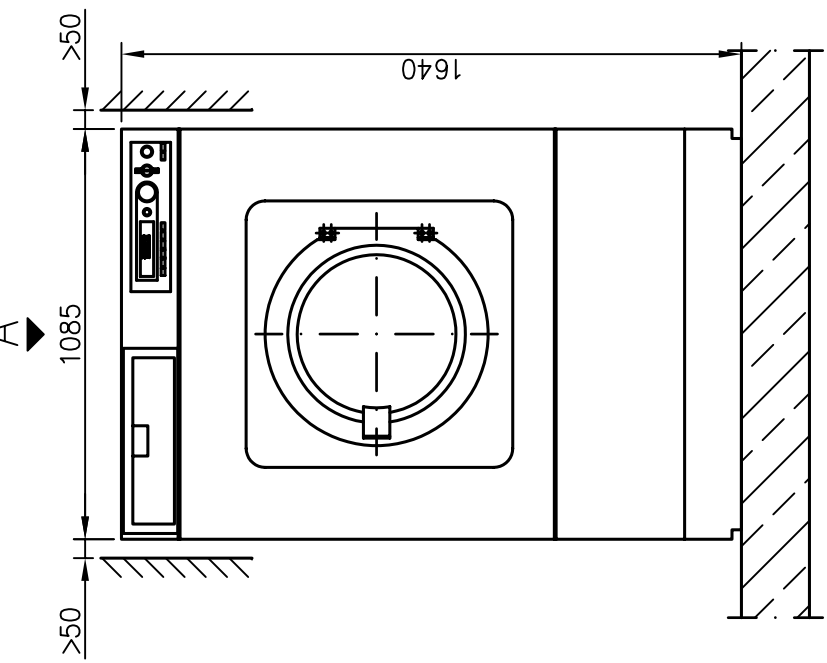
## PW 6241 EL



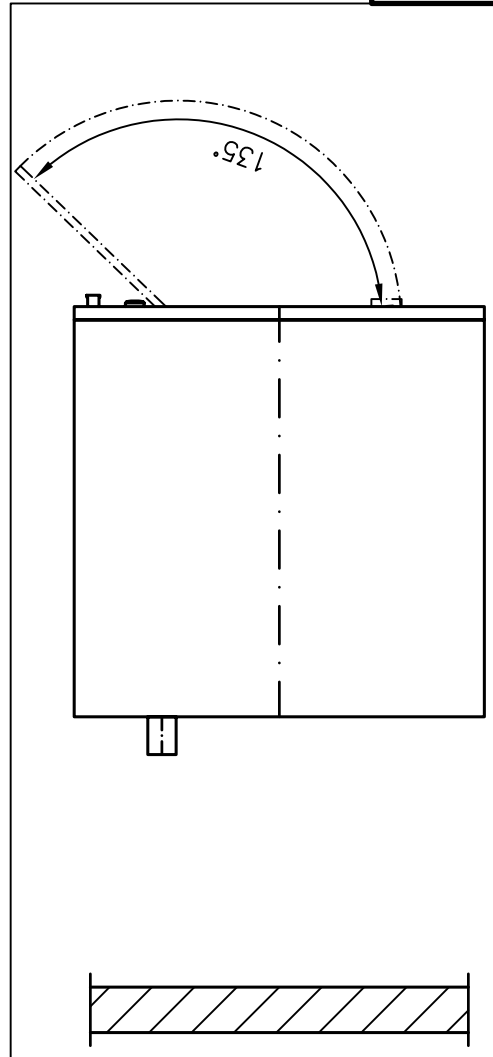
Materialnummer	/	Mat. no.:	06 563 660
Änderungsstand	/	Version:	01
Datum Zeichnung	/	Drawing date:	09.09.2007
Datum Legende	/	Legend date:	15.01.2007



” A ”

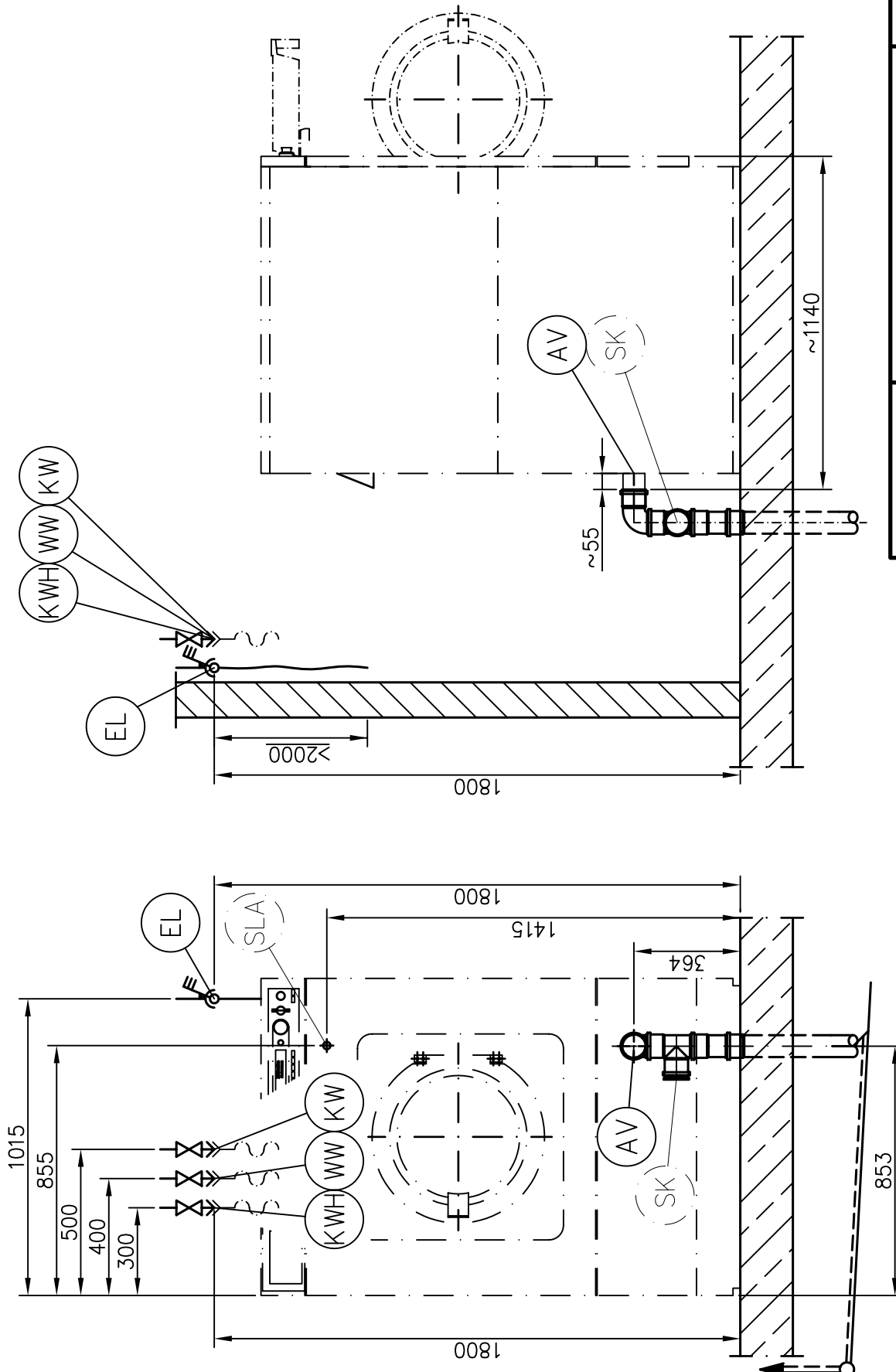



” A ”

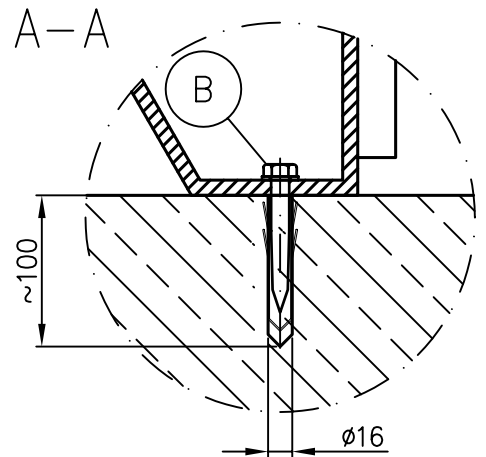
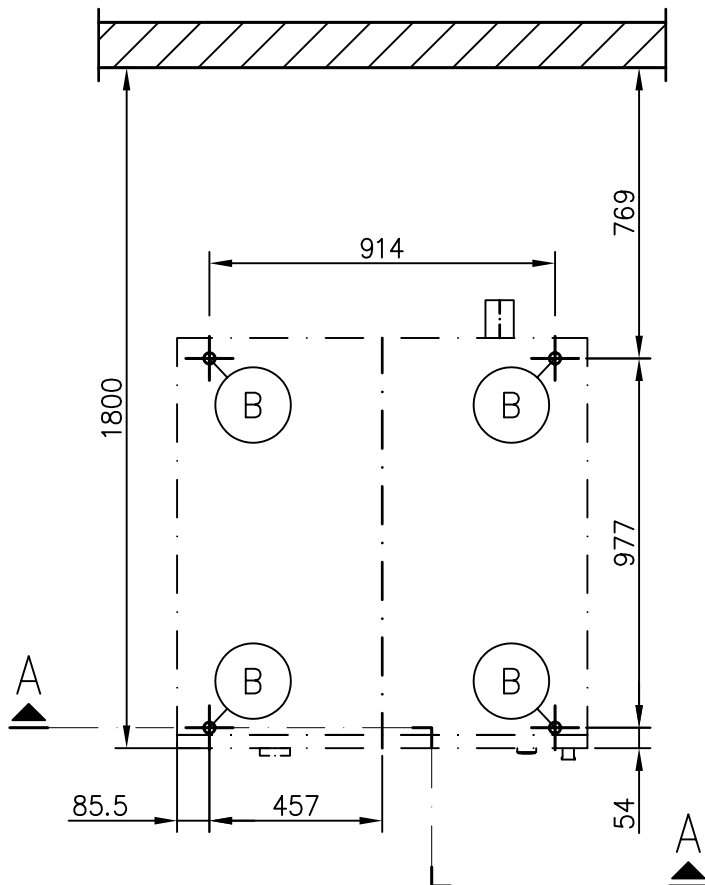
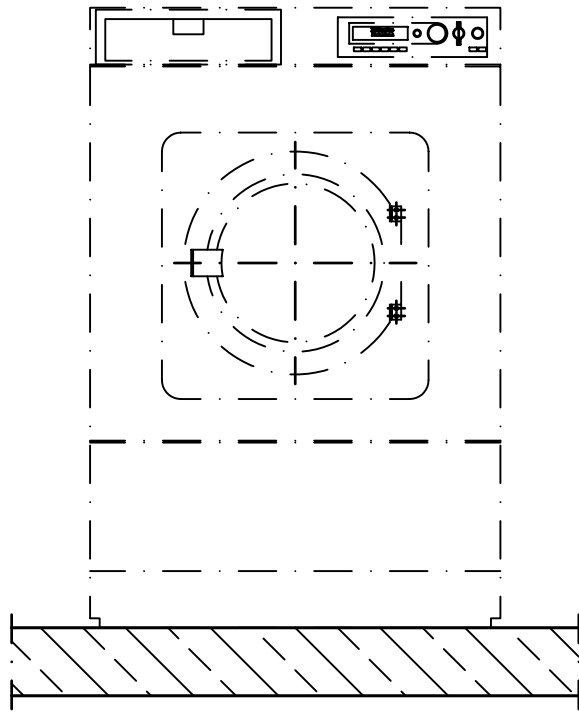


Installationsplan/Installation plan  
Waschmaschine  
PW 6241 EL

Date: 09.09.2007  
Page: 3  
Name: SB



	<b>Installationsplan/Installation plan</b> Waschmaschine PW 6241 EL		Date:	09.09.2007
			Page:	4
			Name:	SB

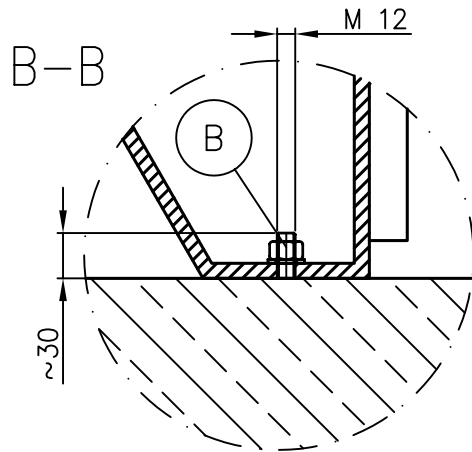
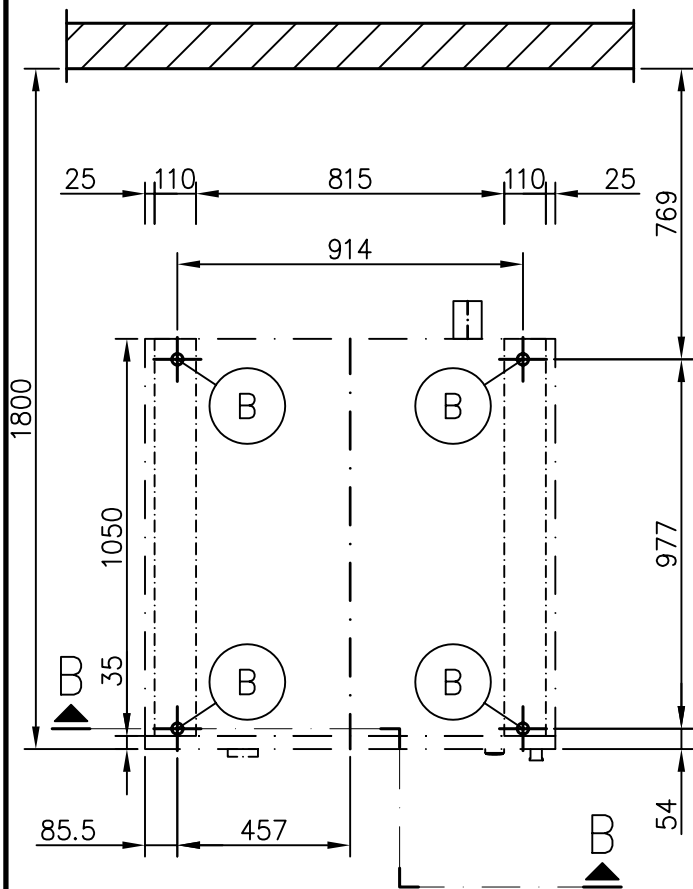
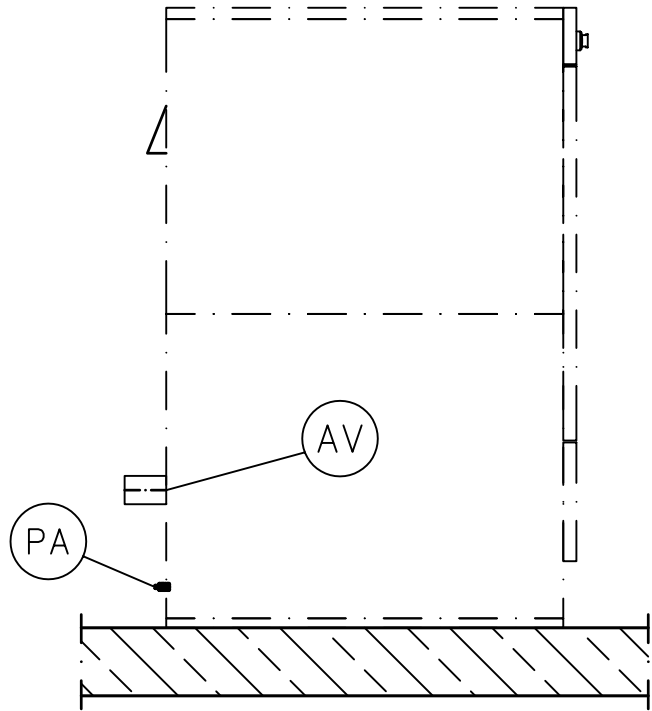
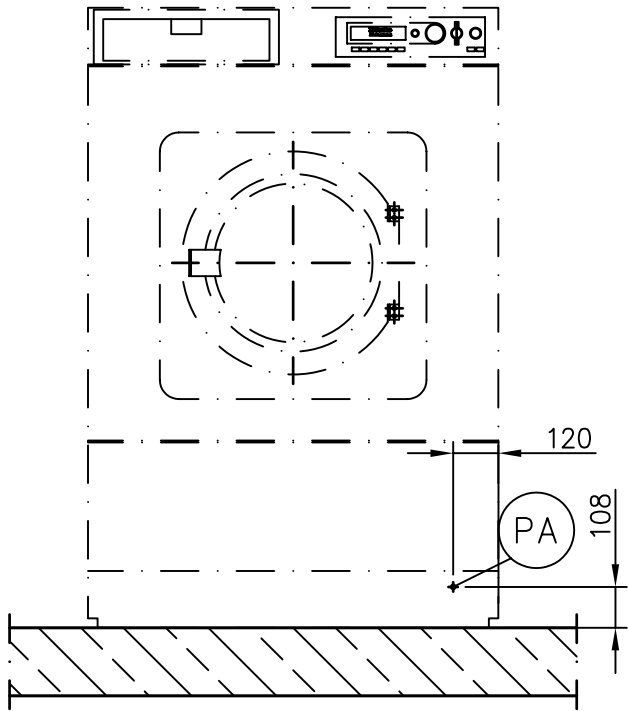


**Miele**  
PROFESSIONAL

Installationsplan/Installation plan  
Waschmaschine  
PW 6241 EL

Date:	09.09.2007
Page:	5
Name:	SB

# Sonderbau / Special Version OS



# Technical datasheet



Washer-extractor:  
Heating:

PW 6241  
Electric (EL)

Legend:



Circled, bold-type abbreviations:  
Connection required



Abbreviations surrounded by broken circle:  
Connection optional or required, depending on model

## Optional extras:

<b>OS</b>	Special construction	Offshore model		
-----------	----------------------	----------------	--	--

## Machine connections:

<b>(EL)</b>	Electrical connection	1. Standard voltage (as supplied) Frequency Rated load Fuse rating Connection cable (to be ordered separately) Minimum cross-sectional area with threaded cable connector	V Hz kW A  mm <sup>2</sup>	3N AC 380-415 50 - 60 25 3 × 50  5 × 10.0 M 40 x 1.5
	Country variations:			
	<b>(N)</b>	2. Standard voltage (as supplied) Frequency Rated load Fuse rating Connection cable (to be ordered separately) Minimum cross-sectional area with threaded cable connector	V Hz kW A  mm <sup>2</sup>	3 AC 440 60 25 3 × 50  4 × 10 M 40 x 1.5
	<b>(USA) (CDNF)</b>	4. Standard voltage (as supplied) Frequency Rated load Fuse rating Connection cable (to be ordered separately) Minimum cross-sectional area with threaded cable connector	V Hz kW A  mm <sup>2</sup>	3 AC 220-240 50-60 25 3 × 80  4 × 25 M 50 x 1.5
		<i>Alternative voltage</i> <i>Frequency</i> <i>Rated load</i> <i>Fuse rating</i> <i>Connection cable (to be ordered separately)</i> <i>Minimum cross-sectional area with threaded cable connector</i>	<i>Convertible</i> V Hz kW A  mm <sup>2</sup>	3 AC 208 60 20 3 × 70  4 × 25 M 50 x 1.5

		<p>Connection using multi-pole wall socket in compliance with IEC 60309 and IEC 60947 is recommended in order to simplify electrical tests.</p> <p>Install mains isolator according to IEC 60947 on hard-wired connection.</p> <p>Wall socket or mains isolator must be accessible after installation.</p> <p>The use of an earth leakage circuit breaker (ELCB) is strongly recommended. A type B RCD (residual current device) must then be used.</p> <p>If necessary, equipotential bonding with good galvanic contact must be provided in accordance with all appropriate national and local regulations.</p>		
SLA	Peak-load management	<p>Connection cable, min. cross-section</p> <p>Input leads (e.g. H05VV-F) should not be in direct contact with any source of heat.</p> <p>Input signal via potential-free (galvanically separated) contact.</p>	mm <sup>2</sup>	4 × 1.5
PA	Equipotential bonding	<p>Connection with male thread with washers and nut.</p> <p>If necessary, equipotential bonding with good galvanic contact must be provided in accordance with all appropriate national and local regulations.</p>	mm M	10 × 35 10
KW	Cold water (Soft water)	<p>Min. flow pressure</p> <p>Max. pressure</p> <p>Max. throughput (if hot and raw water supply is not available)</p> <p>On-site connection thread according to DIN 44 991</p> <p>Length of connection hose (parts supplied: 1 connection hose)</p> <p>Water requirements (average for 60°C programme)</p> <p>Standard connection (with hot water connection)</p> <p>Additional requirements if hot water supply is not available.</p> <p>Additional requirements if raw water supply is not available.</p>	kPa kPa l/min Inch mm  l/h	100 1000 35.5 [80] 1" external thread 1500  Approx. 61
WW	Hot water	<p>Max. temperature</p> <p>Min. flow pressure</p> <p>Max. pressure</p> <p>Max. throughput</p> <p>On-site connection thread according to DIN 44 991</p> <p>Length of connection hose (parts supplied: 1 connection hose)</p> <p>Water requirements (average for 60°C programme)</p> <p>If no hot water supply, connect hose to cold water!</p>	°C kPa kPa l/min Inch mm  l/h	70 100 1000 30 1" external thread 1500  Approx. 53
KWH	Cold water (hard water)	<p>Min. flow pressure</p> <p>Max. pressure</p> <p>Max. throughput</p> <p>On-site connection thread according to DIN 44 991</p> <p>Length of connection hose (parts supplied: 1 connection hose)</p> <p>Water requirements (average for 60°C programme)</p> <p>If no raw water supply, connect hose to cold water!</p>	kPa kPa l/min Inch mm  l/h	100 1000 40 1" external thread 1500  Approx. 209
AV	Drainage via dump valve	<p>Max. temperature</p> <p>Machine drain connection (d<sub>a</sub> × s × l) [DN 70]</p> <p>On-site drain connection (d<sub>i</sub> × s × l) [DN 70 sleeve]</p> <p>Max. transient throughput</p> <p>Vented drainage required. If ventilation is insufficient, fit Miele kit, Mat. no. 05238090.</p> <p>Drain manifolds serving several machines must be of sufficient cross-section.</p>	°C mm mm l/min	95 75 × 1.9 × 110 75 × 1.9 × 50 200



SK	Foam vent	Excessive foaming may result in foam discharge through air vent. In order to dispose of this foam, a drain with U tube can be installed on site using conventional plumbing supplies. A branch with an end cap should be provided for this purpose.		
B	Fittings (supplied)	Without plinth 4 × screws DIN 571 (Ø × length) 4 × rawl plugs (Ø × length) Machine must be bolted to the floor! Fixing materials for floating screed floor to be provided on site	mm mm	12 × 90 16 × 80
	Machine data	Width Depth Height Minimum width of delivery access to installation site Minimum rear wall gap (measured to front of machine) Net weight Dynamic floor load, max. Static floor load, max. Dynamic load, max. Drum frequency, max. Average heat dissipation (dependent on ambient room temperature and programme selected)	mm mm mm mm mm kg N N N Hz W	1085 1225 1640 1090 1800 640 8417 7063 1353 18.3 1306
<p>Installation should only be carried out by authorised fitters in accordance with valid regulations! Observe installation instructions when installing machine! All rights reserved! Measurements in mm</p>				