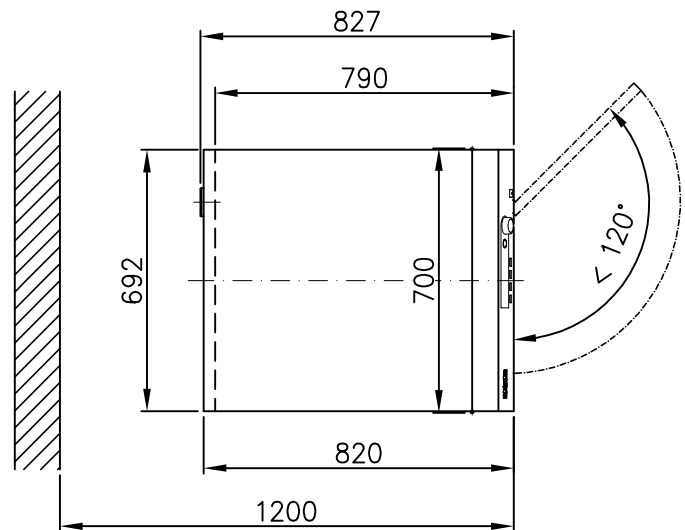
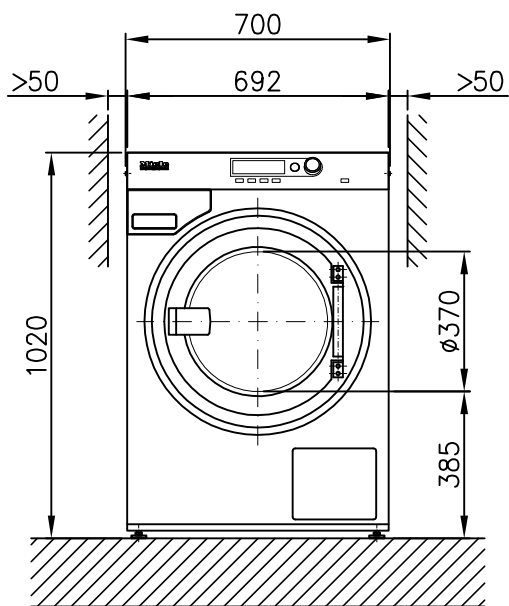
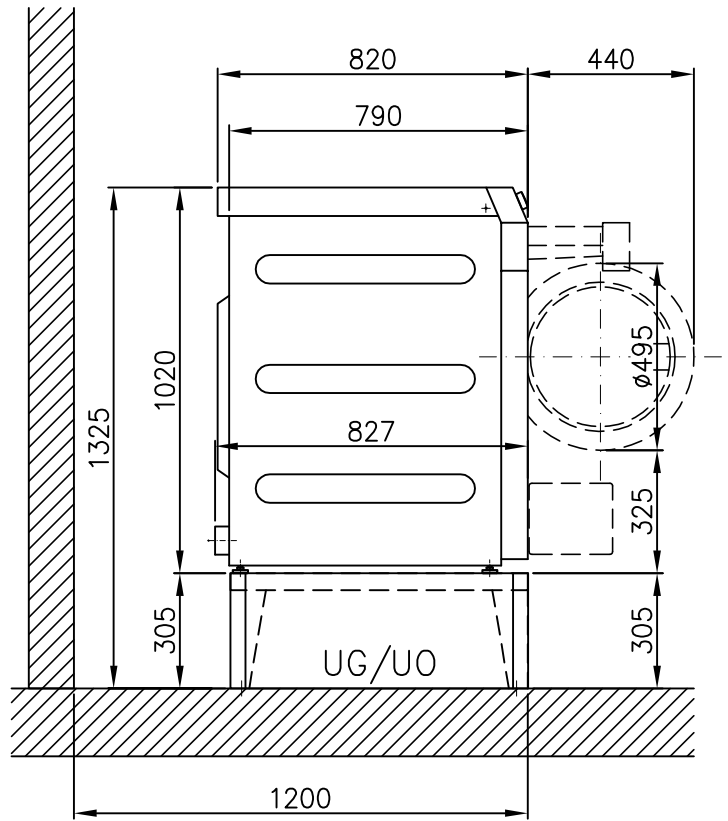
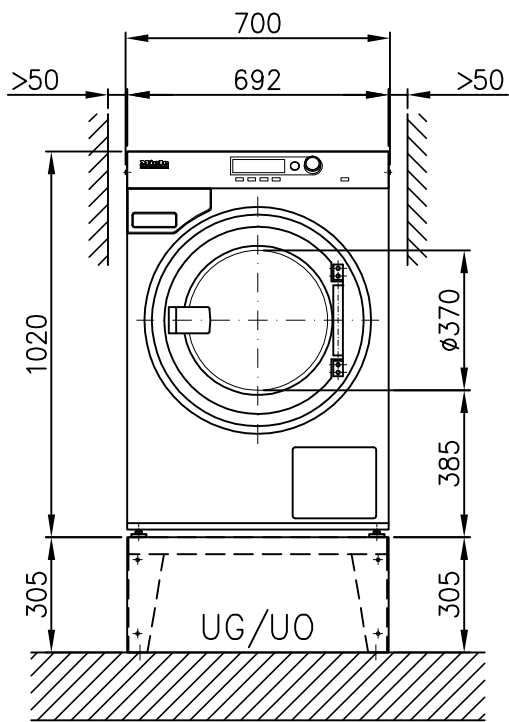


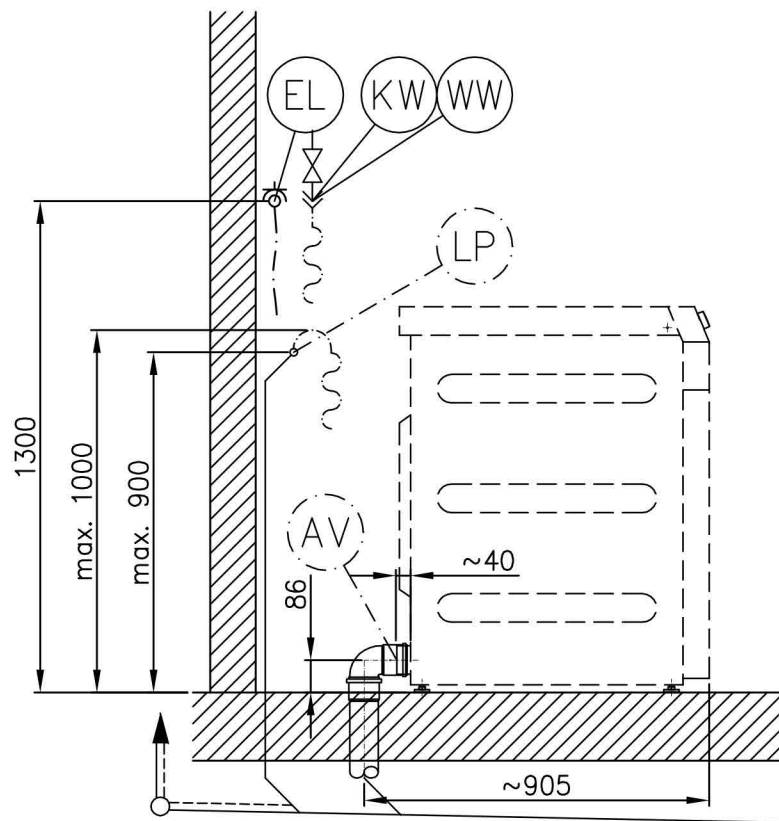
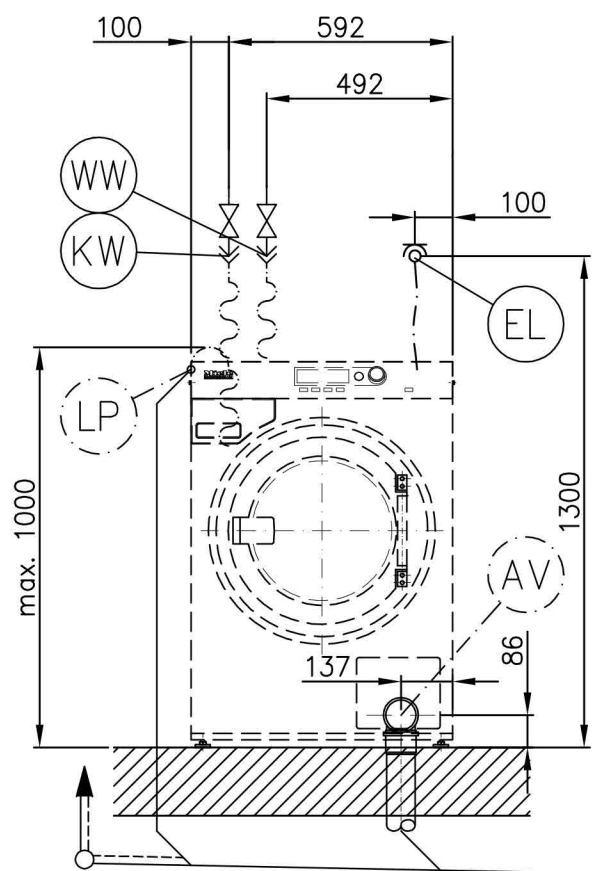
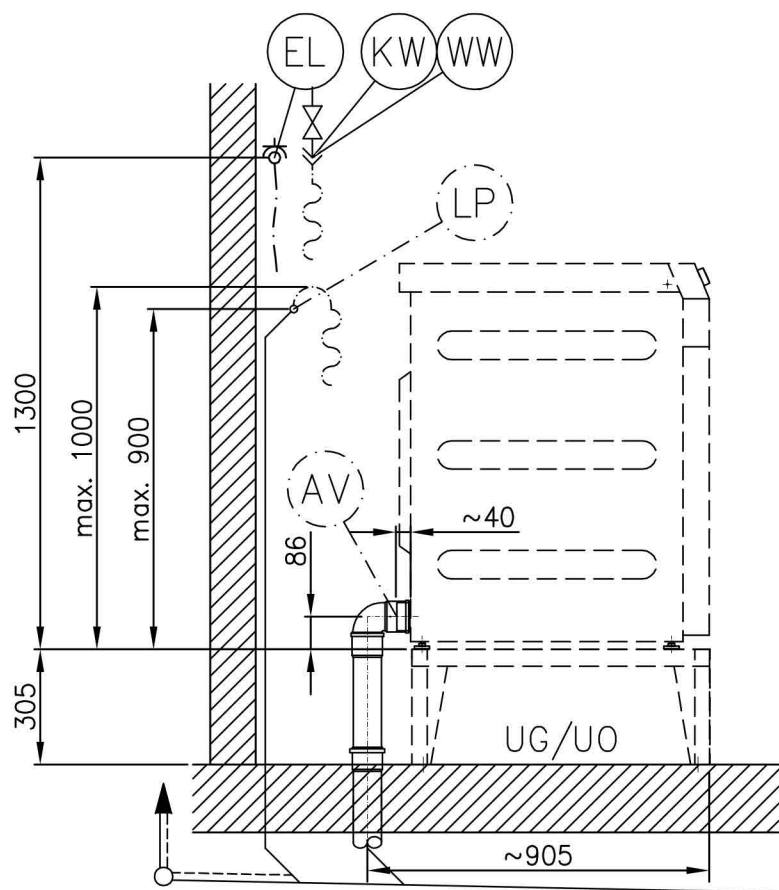
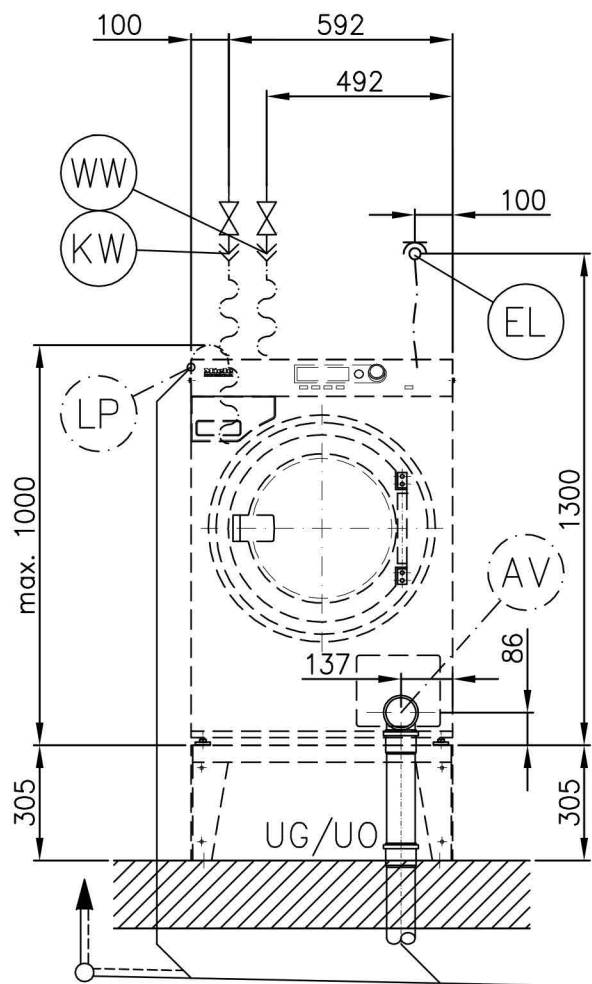
Installation plan
Washer-extractor

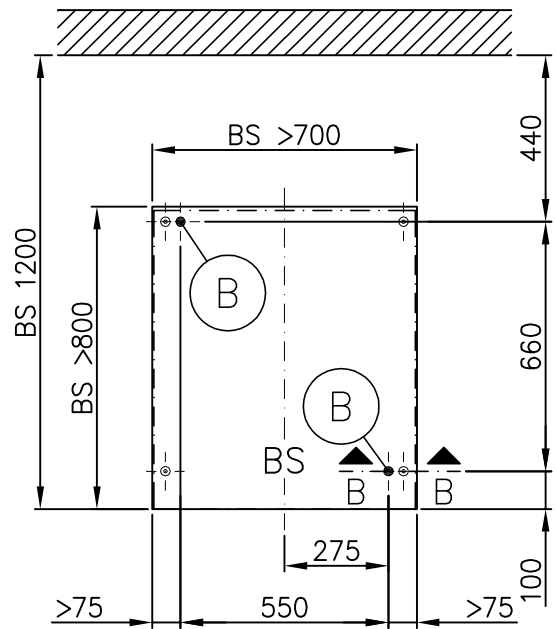
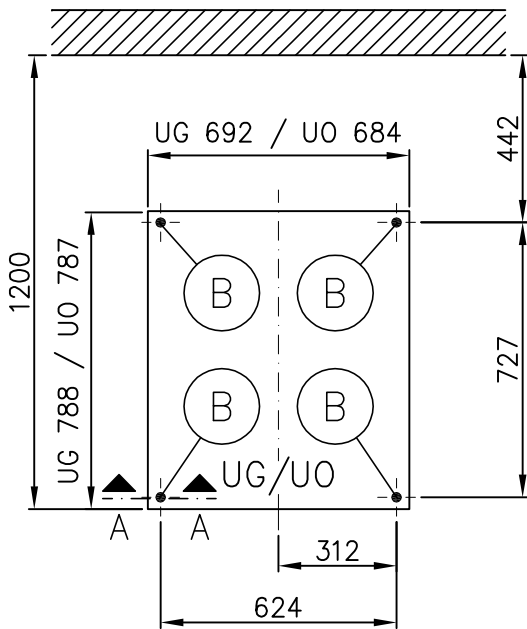
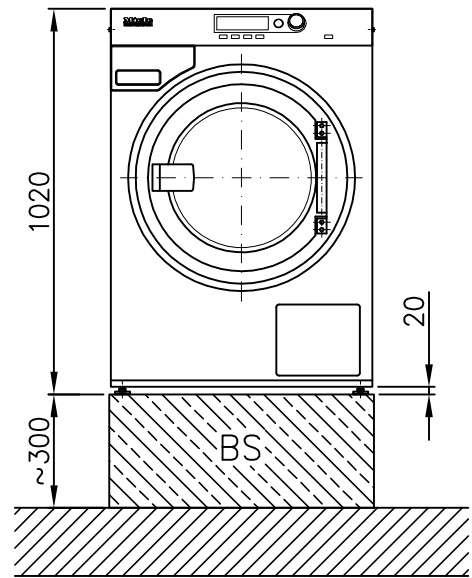
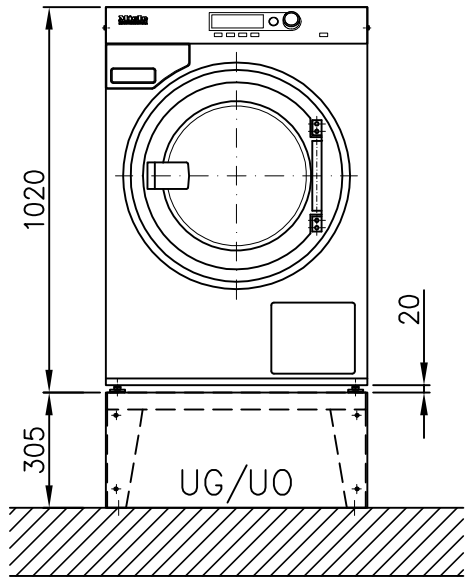


PW 5105 EL AV/LP

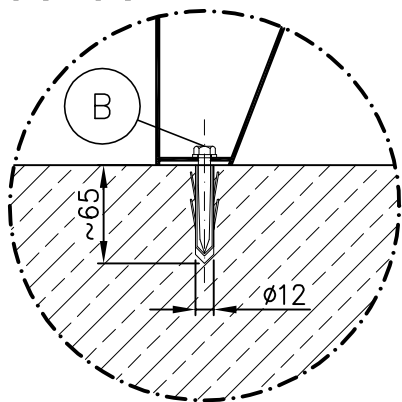
en - GB



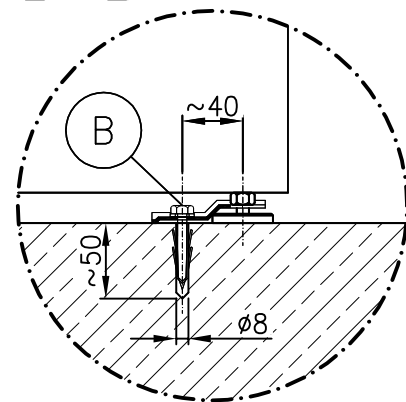


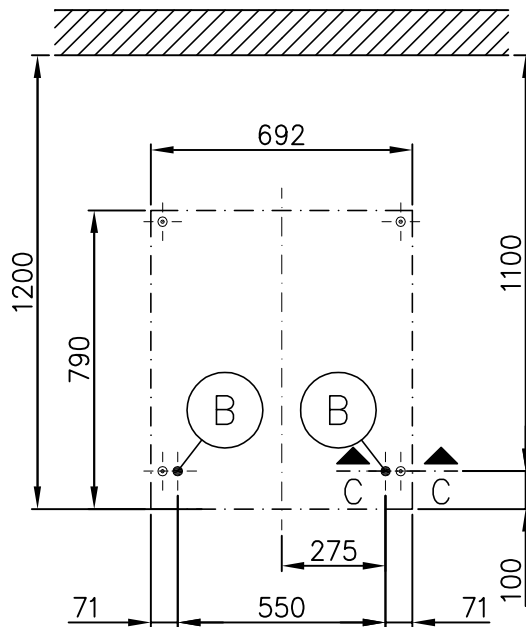
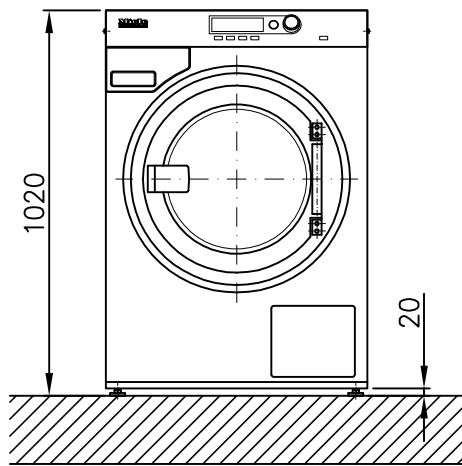


A - A

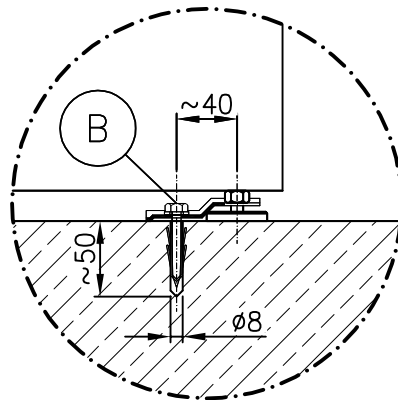




B - B





C - C



	Non-standard voltages:			
	OS 440	1. Standard voltage (as supplied) Frequency Rated load Fuse rating Supply lead cross-section Length of supply lead Supply lead without plug (supplied)	V Hz kW A mm ² mm	3 AC 440 60 7.9 3 × 16 4 × 1.5 2000
		Electrical connection must comply with national regulations. Connection using multi-pole wall socket in compliance with IEC/EN 60309 and IEC/EN 60947 is recommended in order to simplify electrical tests. If machines are hard-wired, a multi-pole mains switch must be provided on site. Switches with a contact gap of more than 3 mm can be used. These include switches, fuses and contactors (IEC/EN 60947). A wall socket or mains isolator must be easily accessible after installation. Reinstallation of the supply point, changes to the equipment or checks on the protective conductor, including determination of correct fuse rating, should only be performed by a properly trained electrician.		
	Cold water (Soft water)	Min. flow pressure Max. pressure Max. throughput On-site connection thread according to DIN 44 991 Length of connection hose (supplied) 1 connection hose Water requirements (average for 60°C ≈programme) Standard connection (hot water fill) Additional requirements if hot water supply is not available. If connected to grey water supply (optional), subtract from cold water volume.	kPa kPa l/min Inch mm l/h	100 1000 11 ¾" external thread 1550 not yet available
	Warm water (Soft water)	Max. temperature Min. flow pressure Max. pressure Max. throughput On-site connection thread according to DIN 44 991 Length of connection hose (supplied) 1 connection hose Water requirements (average for 60°C ≈programme) Both the hot und cold water hose must be connected to the mains water supply with the use of the provided double check valves.	°C kPa kPa l/min Inch mm l/h	60 100 1000 11 ¾" external thread 1550 not yet available

AV	Waste water Model versions with dump valve	Max. temperature Machine-side drain connection (ext. diameter) On-site drain (int. diameter) Max. transient throughput Vented drainage required. If ventilation is insufficient, fit Miele kit, Mat. no. 05238090. Drain manifolds serving several machines must be of sufficient cross-section.	°C mm mm l/min	90 75 [DN 70] 75 [DN 70] 62
LP	Waste water Model versions with drain pump	Max. temperature Drain hose(int. diameter) On-site hose connector for drain hose (int. diameter x length) Max. transient throughput Drain pump head height (from floor level) Vented drainage required. If ventilation is insufficient, fit Miele kit, Mat. no. 05238090. Drain manifolds serving several machines must be of sufficient cross-section.	°C mm mm l/min mm	90 22 [DN 22] 22 × 30 26 1000
B	Fittings (supplied)	Miele plinth UG/UO 5010 4 × metal angled brackets (to secure machine to plinth) 4 × screws DIN 571 (Ø × length) 4 × rawl plugs (Ø × length) Machine must be bolted to the floor! Fixing materials for a floating screed floor are to be provided on site.	mm mm	8 × 65 12 × 60
		On concrete platform 2 × clamps 2 × screws DIN 571 (Ø × length) 2 × rawl plugs (Ø × length) Machine must be bolted to the floor! Fixing materials for a floating screed floor are to be provided on site.	mm mm	6 × 50 8 × 40
	Machine data	Unit width Machine depth Unit height Casing width Casing depth Minimum width of delivery access to installation site Minimum rear wall gap (measured to front of machine) Wall gap (to front of machine) Minimum gap ensures sufficient space for maintenance and servicing. Net weight Dynamic floor load, max. Static floor load, max. Dynamic load, max. Drum frequency, max. Average heat dissipation (dependent on ambient room temperature and programme selected) Sound pressure (re 20 mPA), workplace-related (at distance of 1 m and height of 1.6 m)	mm mm mm mm mm mm mm mm kg N N N Hz W dB (A)	700 827 1020 792 790 720 1200 1000 148 2750 1960 790 18 not yet available <70
Installation should only be carried out by authorised fitters in accordance with valid regulations! Observe installation instructions when installing machine! All rights reserved! Measurements in mm.				