

Miele

Installation plan

Vented dryer



PDR 908 EL

INDUSTRIAL USE ONLY

Always read the operating and installation instructions before setting up, installing, and commissioning the machine. This prevents both personal injury and damage to the machine.

en-CA

11 276 740/06

Please have the model and serial number of your machine available when contacting Technical Service.

Canada

Importer
Miele Limited

Professional Division

161 Four Valley Drive
Vaughan, ON L4K 4V8
Phone: 1-888-325-3957
www.mieleprofessional.ca
professional@miele.ca

Miele Professional Technical Service

Phone: 1-888-325-3957
serviceprofessional@miele.ca



Manufacturer: Miele & Cie. KG
Carl-Miele-Straße 29, 33332 Gütersloh, Germany

Legend:



Connection required



Connection optional or required,
depending on model

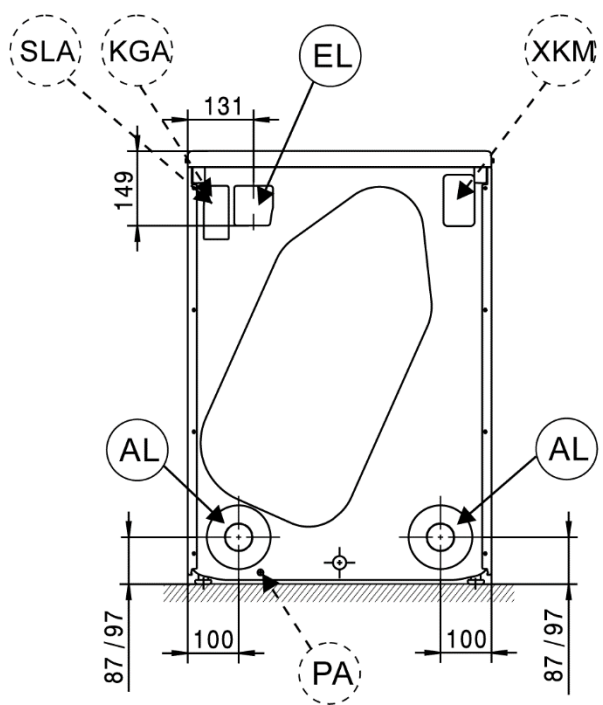
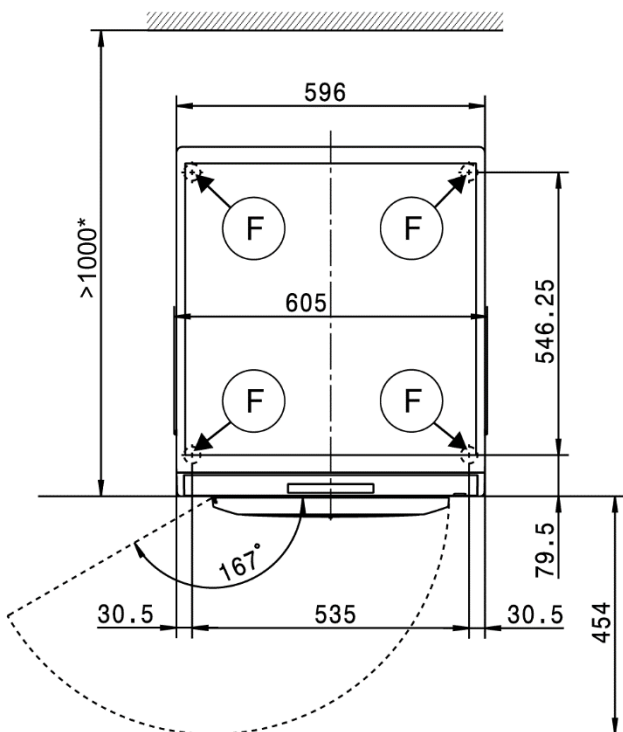
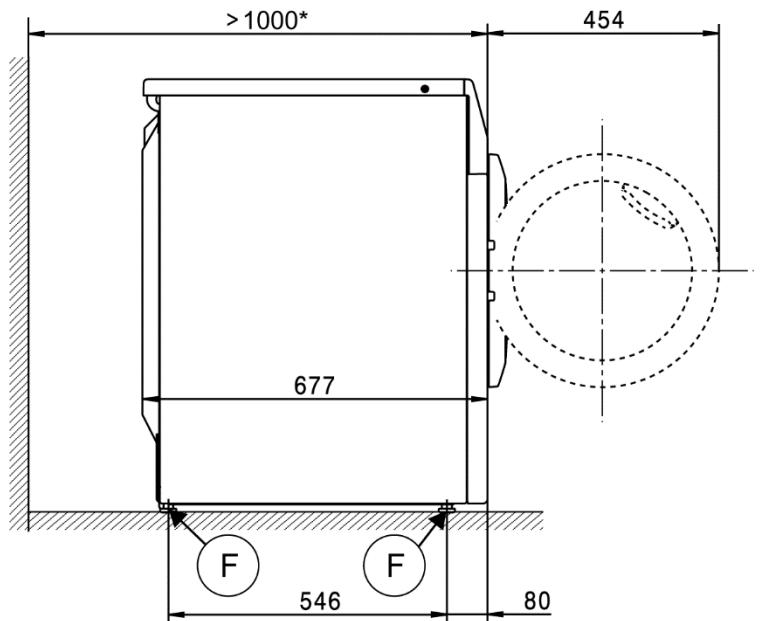
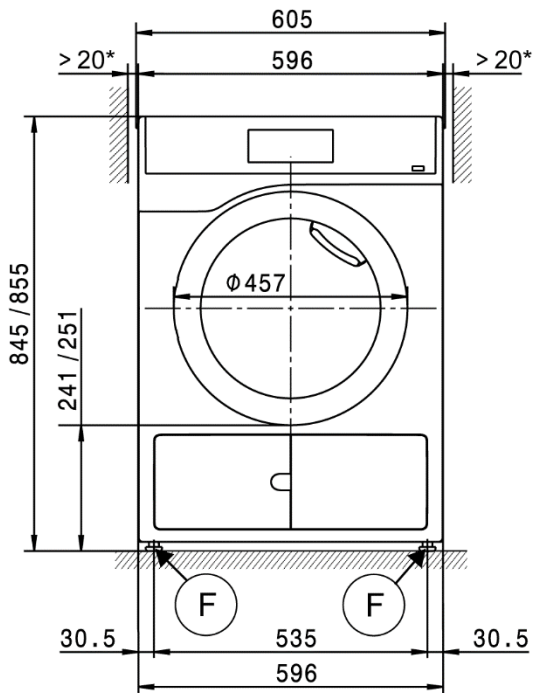
AL Exhaust air
ASK Condensate drain hose
B Machine anchoring
EL Electrical connection
F Machine feet, adjustable
KG Payment system
KGA Payment system connection
KLA Cooling air vent

KLZ Cooling air intake
PA Potential equalization
SLA Peak-load connection
APCL SST Closed base
APCL OB Open base
APCL 001 Washer-dryer stacking kit
XKM Communication module
ZL Air intake

All rights reserved.

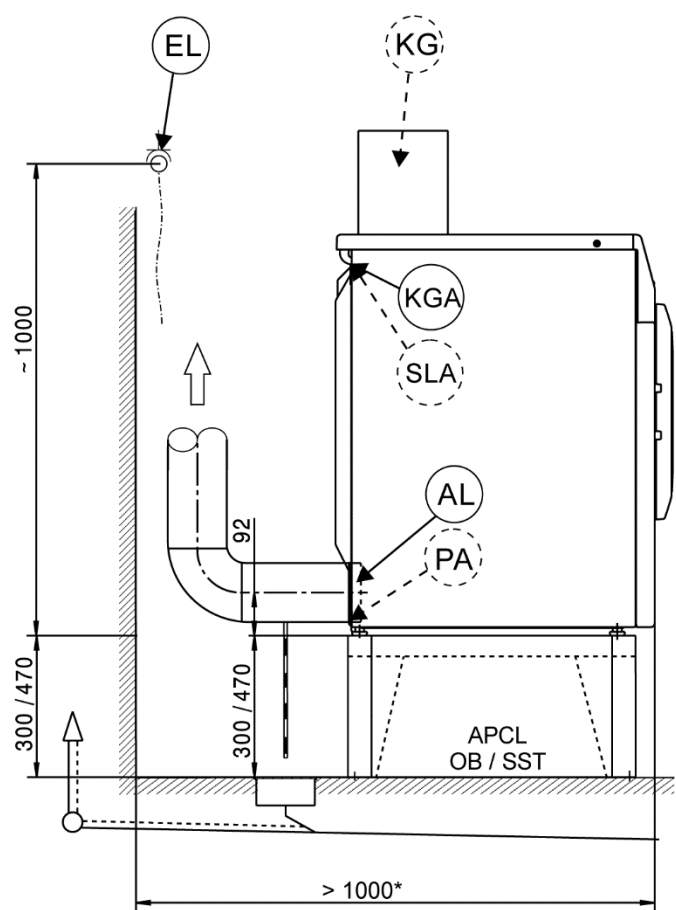
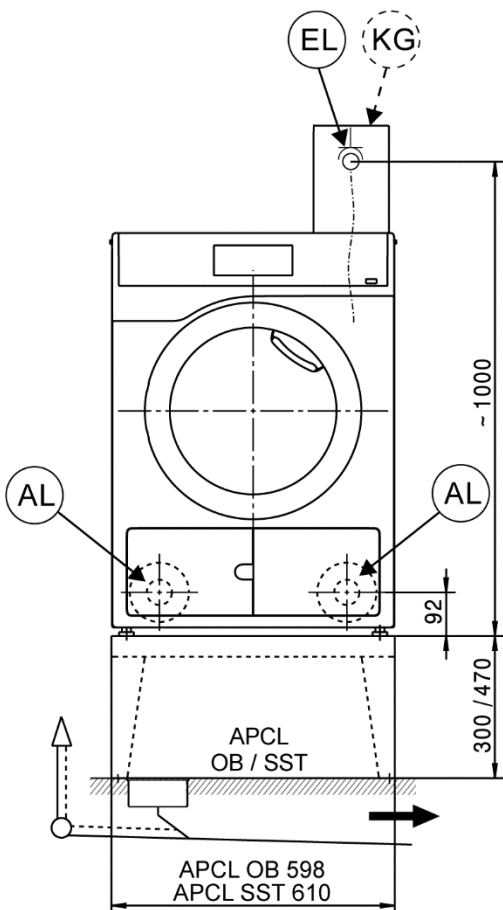
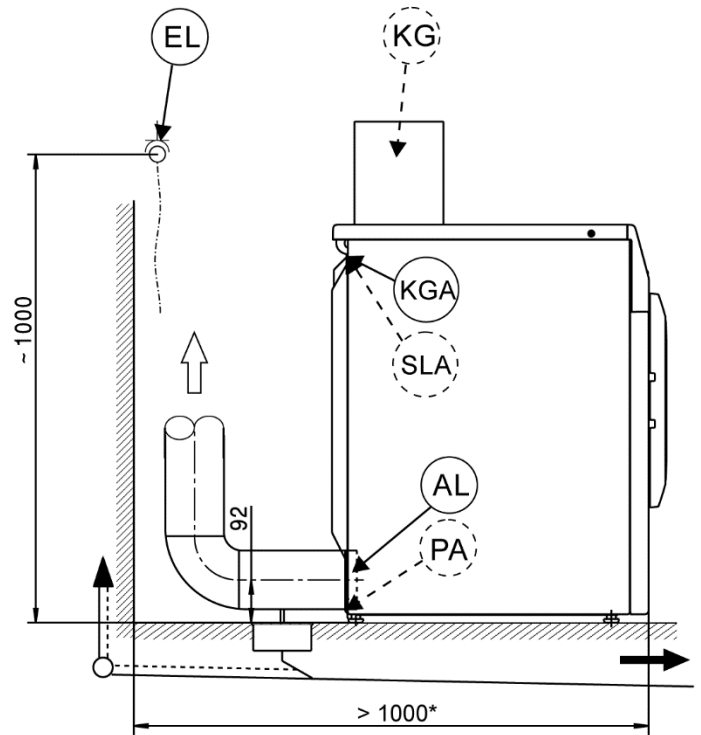
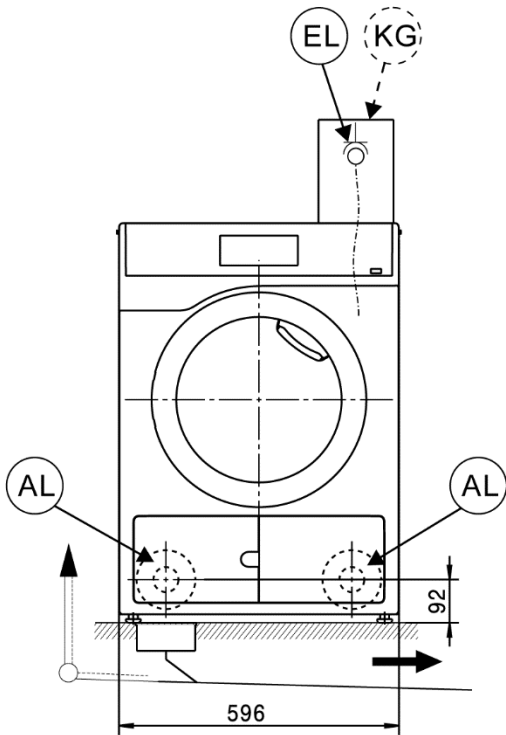
Machine dimensions

* The distances between the machine and the wall are recommendations to help make it easier to carry out service work. If installation space is limited, the machine can also be pushed up against the wall.



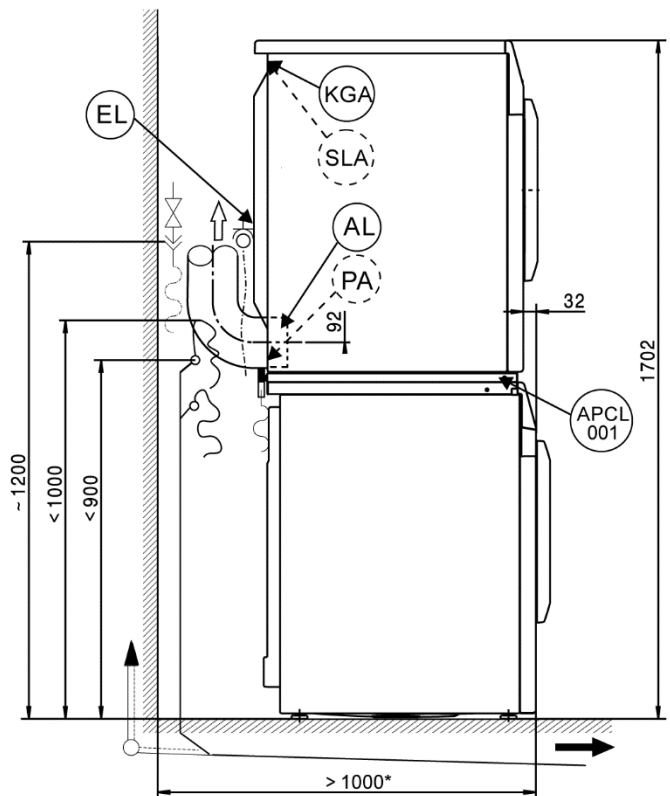
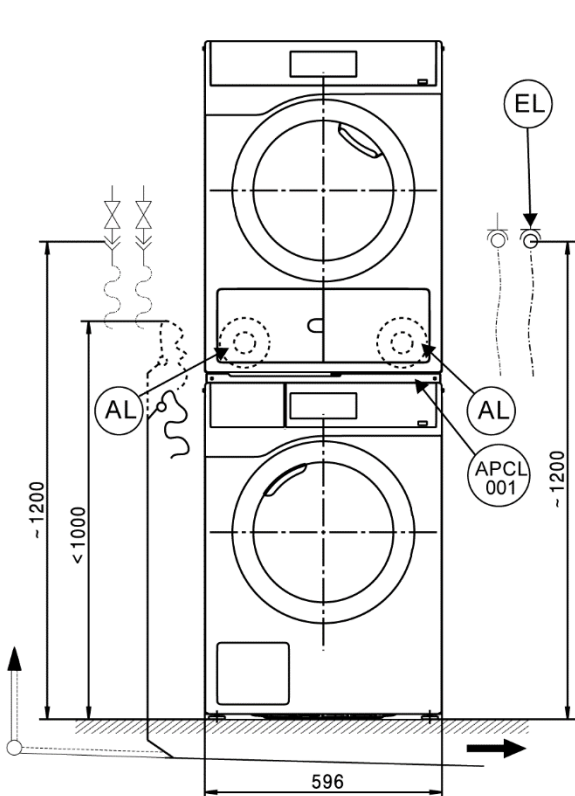
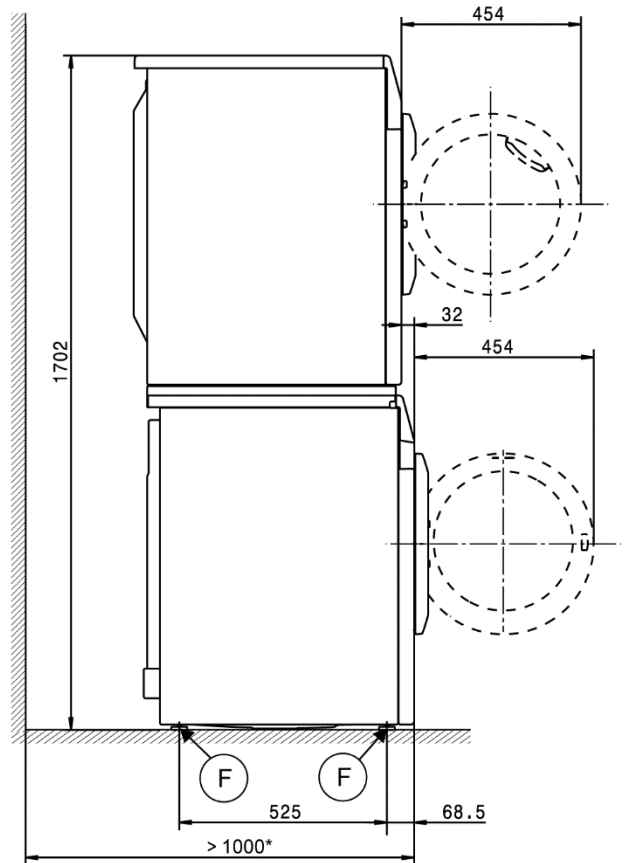
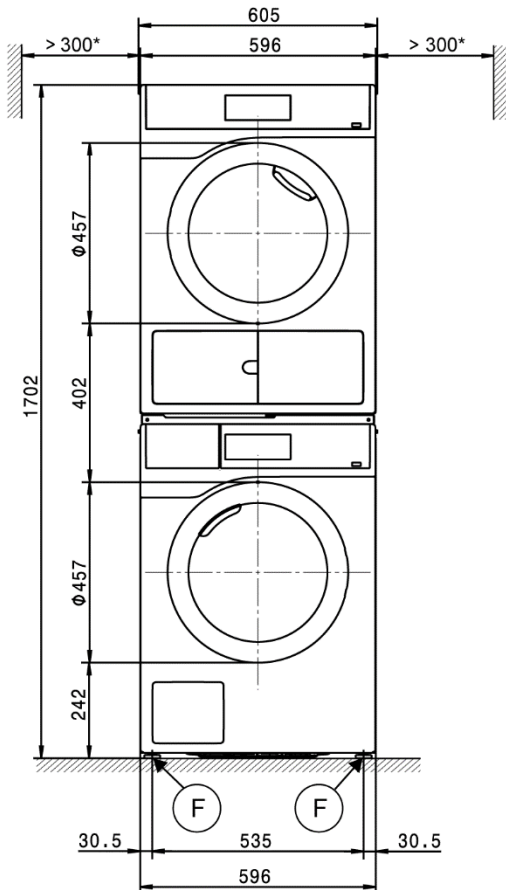
Installation

* The distances between the machine and the wall are recommendations to help make it easier to carry out service work. If installation space is limited, the machine can also be pushed up against the wall.



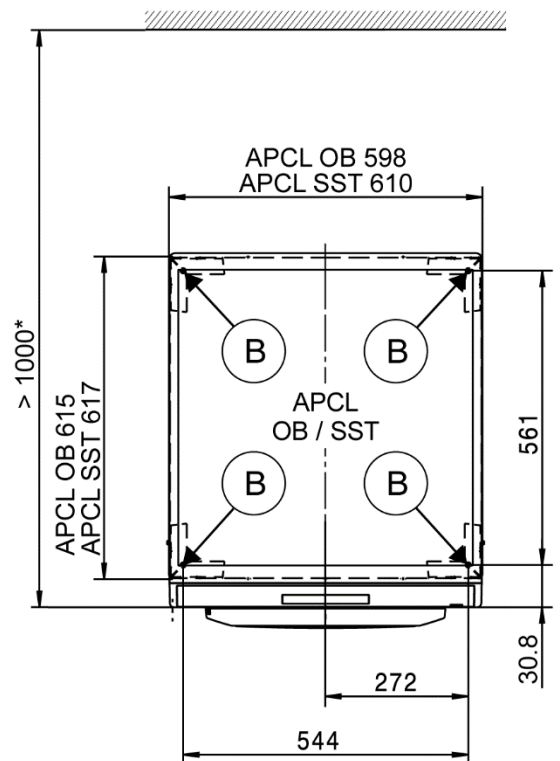
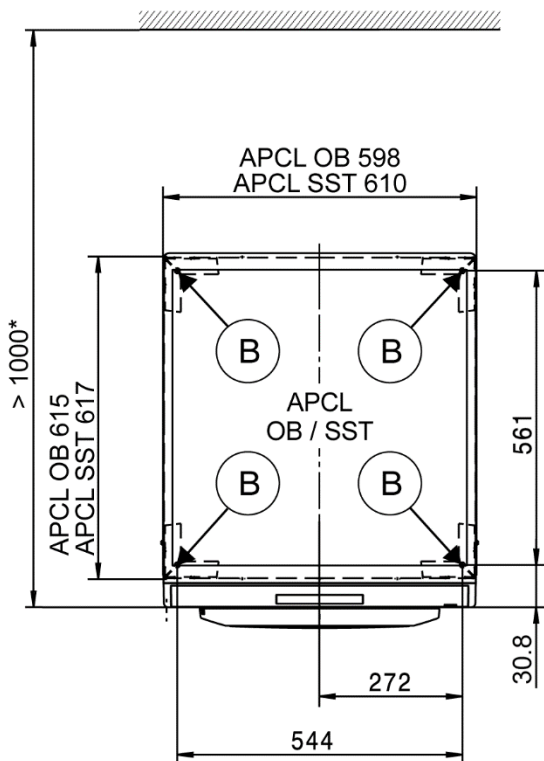
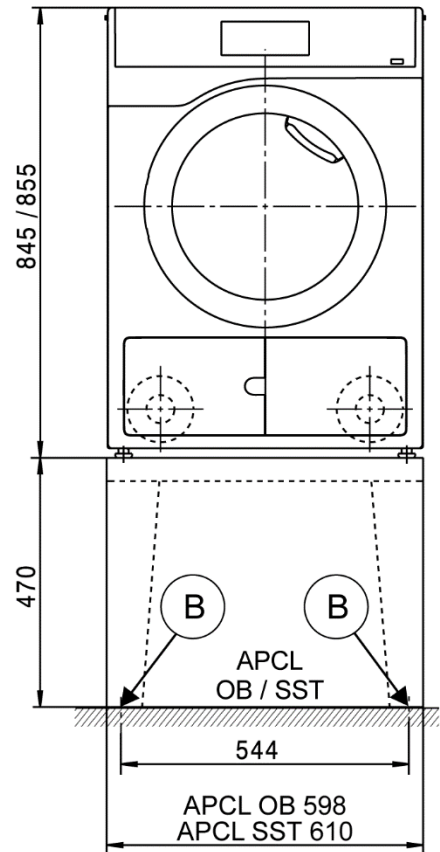
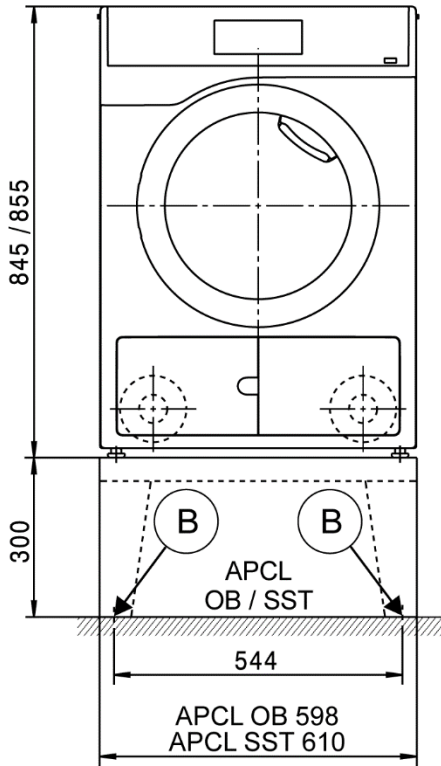
Washer-dryer stack

* The distances between the machine and the wall are recommendations to help make it easier to carry out service work. If installation space is limited, the machine can also be pushed up against the wall.



Installation

* The distances between the machine and the wall are recommendations to help make it easier to carry out service work. If installation space is limited, the machine can also be pushed up against the wall.



Technical data

| | | PDR 908 EL |
|-----------------------|----|-----------------------------|
| Drying system | | Vented |
| Drum volume | l | 130 (4.59 ft ³) |
| Capacity | kg | 8.0 (17.6 lb) |
| Door opening diameter | mm | 370 (17 9/16 in) |

Electrical connection (EL)

| Standard voltage for CDN & USA | | 2 AC 208-240 V |
|---|----|----------------|
| Frequency | Hz | 60 |
| Total rated load | kW | 3.2/4.3 |
| Fuse rating | A | 2 x 30 |
| Supply cable min. cross-section | | 3 x AWG10 |
| Supply cable with plug type NEMA L6-30P | | ● |
| Length of supply cable | mm | 1,830 (6.0 ft) |

| Non-standard voltage MAR 208-240 (Marine) | | 2 AC 208-240 V |
|---|----|----------------|
| Frequency | Hz | 60 |
| Total rated load | kW | 3.2/4.3 |
| Fuse rating | A | 2 x 30 |
| Supply cable min. cross-section | | 3 x AWG10 |
| Supply cable with plug type NEMA L6-30P | | ● |
| Length of supply cable | mm | 1,830 (6.0 ft) |

Vented (EL)

| | | |
|------------------------------|----|------------------|
| Connection (ext. diameter) | mm | 100 (3 15/16 in) |
| Max. exhaust air temperature | °C | 80 (176°F) |

Electrical connection with 50 Hz/60 Hz

| | | |
|--|-------------------|---------------------------------|
| Max. permissible pressure loss | Pa | 340 (0.049 psi) |
| Max. flow rate w/o counterpressure (0 Pa) in vented mode | m ³ /h | 285 (10.064 ft ³ /h) |

Potential equalization (PA)

| | | |
|--|--|---|
| Appliance connection (with installation kit) | | ○ |
|--|--|---|

XCI box / XCI AD interface

| | | |
|--|--|---|
| | | ● |
|--|--|---|

Peak load/energy management (SLA)

| | | |
|-----------------------------------|--|---|
| Machine connection (with XCI box) | | ○ |
|-----------------------------------|--|---|

Communication module (XKM)

| | | |
|--------------------------------------|--|---|
| Communication module XKM 3200 WL PLT | | ○ |
|--------------------------------------|--|---|

Installation on machine feet (F)

| | | |
|---|-----|-----------------|
| No. of machine feet | No. | 4 |
| Machine foot, height-adjustable with thread | mm | ± 5 (3/16 in) |
| Machine foot diameter | mm | 31.7 (1 1/4 in) |

Anchoring (B)

Anchoring of Miele bases

| | | |
|--|-----|---------------------------|
| Miele base installation (fasteners included) | | ○ |
| Required anchor points | No. | 4 |
| Wood screws according to DIN 571 | mm | 8 x 65 (5/16 x 2 9/16 in) |
| Rawl plugs (diameter x length) | mm | 12 x 60 (1/2 x 2 3/8 in) |

Base floor anchoring (to be provided on site)

| | | |
|--|----|-------------------------------|
| Machine installation on on-site base (concrete or masonry) | | ○ |
| Min. base installation footprint (W/D) | mm | 600/650 (23 5/8 x 25 9/16 in) |
| Wood screws according to DIN 571 | mm | 6 x 50 (1/4 x 2 in) |
| Rawl plugs (diameter x length) | mm | 8 x 40 (5/16 x 1 9/16 in) |

● = standard, ○ = optional, + = only on request, - = not available

Technical data

PDR 908 EL

Machine data

| | | |
|------------------------------------|----|--|
| Overall machine dimensions (H/W/D) | mm | 850/605/717 (33 7/16 / 23 13/16 / 28 1/4 in) |
| Casing dimensions (H/W/D) | mm | 850/596/677 (33 7/16 / 23 7/16 / 26 5/8 in) |

Site-access dimensions (H/W)

| | | |
|--|----|---------------------------------|
| Min. site-access opening (excl. packaging) | mm | 900/605 (35 7/16 / 23 13/16 in) |
|--|----|---------------------------------|

Installation dimensions

| | | |
|---|----|-------------------|
| Side gap | mm | 20 (13/16 in) |
| Recommended side gap – washer-dryer stack | mm | 300 (11 13/16 in) |
| Recommended distance to opposite wall from front of machine | mm | 1,000 (39 3/8 in) |

Weights and floor loads

| | | |
|------------------------------|----|-----------------|
| Machine weight (net weight) | kg | 51.5 (113.6 lb) |
| Max. floor load in operation | N | 670 |

Emissions

| | | |
|--|-------|------|
| Sound pressure level (in accordance with EN ISO 11204/11203) | dB(A) | < 70 |
| Heat dissipation rate to installation site | W | 200 |

● = standard, ○ = optional, + = only on request, - not available

Installation and planning notes

Installation requirements

The tumble dryer should only be connected to a power supply provided in accordance with all appropriate local and national legislation and regulations.

In addition, all regulations issued by the appropriate utilities as well as standards relating to occupational safety and all applicable valid regulations and technical standards must be observed.

General operating conditions

Ambient temperature in installation room: +2°C to +35°C (36°F to 95°F).

Electrical connection

This tumble dryer is supplied with a power cord and plug ready for connection.

The machine may only be connected to an electrical system that conforms to the national and local codes and regulations. The installation must be performed by a qualified electrician.

The data plate indicates the nominal power consumption and the appropriate fuse rating. Compare the specifications on the data plate with those of the electrical power supply.

The tumble dryer can either be hard-wired or connected using a plug-and-socket connection in accordance with IEC 60309-1. It is always recommended to connect the machine via a plug and socket so that electrical safety checks, e.g. during repair or service work, can be carried out easily.

If the machine is hard-wired, a dual circuit breaker must be provided on site. When switched off, there must be an all-pole contact gap of at least 3 mm in the isolator switch (including circuit breakers, breakers, and relays according to IEC/EN 60947).

The plug connector or isolator switch should be easily accessible at all times. If the tumble dryer is disconnected from the electricity supply, the isolator must be lockable or the point of disconnection must be monitored at all times.

New connections, modifications to the system, or servicing of the ground conductor, including determining the correct fuse amperage, must be carried out by a qualified electrician, as they are familiar with the pertinent regulations and the specific requirements of the electric utility company.

If converting the tumble dryer to an alternative voltage, observe the instructions in the wiring diagram. Conversion must be performed by Miele Service or by an authorized Miele dealer. The heater rating must also be adapted.

The tumble dryer must not be connected to devices such as timers which would switch it off automatically.

References to cable cross-sections in the technical data refer only to the required power cord. Please consult relevant local and national regulations when calculating any other wire gauges.

Vent connection

Hot moist exhaust air should be vented to atmosphere along the shortest possible route or connected to a suitable vent system.

Depending on the duct path, the moist exhaust air can condense on the duct walls to a greater or lesser extent. For this reason it is recommended to lay ducting with a downwards slope to the air exit.

If ducting slopes upwards, a condensate trap either with a drip tray or a connection to a suitable on-site floor drain must be fitted in the system at the lowest point.

Condensate must not flow back into the machine.

It is permissible to vent exhaust air via an external wall. In this case, measures must be taken to minimize the risk and annoyance to neighbouring buildings.

The end of exhaust air ducting leading into the open should be protected against the elements, e.g. using a suitable hood or grille or with a 90° bend.

The cross-sectional area of the ducting must not be reduced or obstructed by built-in parts. Filters and louvers must not be fitted in the ducting.

Congestion in the line may lead to a drop in machine performance or to machines being switched off to guarantee safety.

Proper functioning of the tumble dryer cannot be guaranteed if the max. permissible pressure loss is exceeded in the on-site vent ducting system.

When connecting several tumble dryers to a common duct, the cross-sectional area of the duct must be increased accordingly.

Additionally, in such a case every tumble dryer must have its own non-return valve to prevent dryers affecting others in the system. This requires the provision of on-site additional parts.

In the event that exhaust air ducts from several tumble dryers are merged into a common duct, a non-return device should be installed in each separate line to prevent backflow.

With complex ducting with many bends and additional components, or with the connection of several different machines to a common duct, it is recommended that a detailed calculation is carried out by a suitable specialist.

Air intake

The air supply for the tumble dryer is taken directly from the installation site.

During operation, adequate ventilation of the installation site should be guaranteed. Depending on the machine version, it is necessary to ensure an intake of fresh air to compensate for the volume of exhaust air extracted in order to avoid the creation of a vacuum.

It should not be possible to close or otherwise obstruct air intake grilles or alternative measures should be implemented to ensure that an adequate supply of fresh air is available at all times during tumble dryer operation.

Potential equalization

If necessary, potential equalization with good galvanic contact must be guaranteed in compliance with all applicable local and national installation specifications.

Connection material for potential equalization must be provided on site or using a kit available from Miele Service.

Peak load/Energy management

The machine can be connected to a peak load or energy management system using an optional kit.

When the peak-load function is activated, the heating is deactivated. A message appears in the display to inform you of this.

Interface

The tumble dryer can be retrofitted with an XKM 3200 WL PLT communication module.

This module can be used as a WiFi or LAN interface.

The LAN interface provided via the module complies with SELV (Safety Extra Low Voltage) in accordance with EN 60950. Connected appliances must also comply with SELV. The LAN connection uses a RJ45 connector in accordance with EIA/TIA 568-B.

Installation and anchoring

The machine must be installed on a perfectly smooth, level and firm surface which is able to withstand the quoted loads.

The floor load created by the machine is concentrated and transferred to the installation footprint via the machine feet.

The tumble dryer should be levelled in both directions with the aid of the adjustable feet.

Base installation

The tumble dryer can be installed on a machine base (open or box base, available as an optional Miele accessory) or on a concrete base to be provided on site.

The quality of the concrete and its strength must be assessed according to the machine load. Ensure that any raised concrete base is adequately bonded to the floor below.

Washer-dryer stack

The tumble dryer can be installed as a washer-dryer stack together with a Miele Washing Machine. A stacking kit (optional accessory) is required for this.

Installation of the stacking kit must be performed by Miele Service or an authorized Miele service technician.