

Miele

Installation plan

Vented Dryer



PDR 908 EL

It is **essential** to read the operating and installation instructions before installation and commissioning.
This prevents both personal injury and damage to the appliance.

en-AU, NZ

11 276 490/03

Miele Australia Pty. Ltd.

ACN 005 635 398

ABN 96 005 635 398

Melbourne:

1 Gilbert Park Drive

Knoxfield, VIC 3180

Telephone: 1300 731 411

service.prof@miele.com.au

**www.miele.com.au/professional
sales@miele-professional.com.au****Miele New Zealand Limited**

IRD 98 463 631

8 College Hill

Freemans Bay

Auckland 1011

New Zealand

Telephone: 0800 4 MIELE

(0800 464 353)

www.miele.com.au/professionalsales@miele-professional.com.auMiele Global Headquarters: Miele & Cie. KG
Carl-Miele-Straße 29, 33332 Gütersloh, Germany**Legend:**

Connection required

Connection optional or required,
depending on model

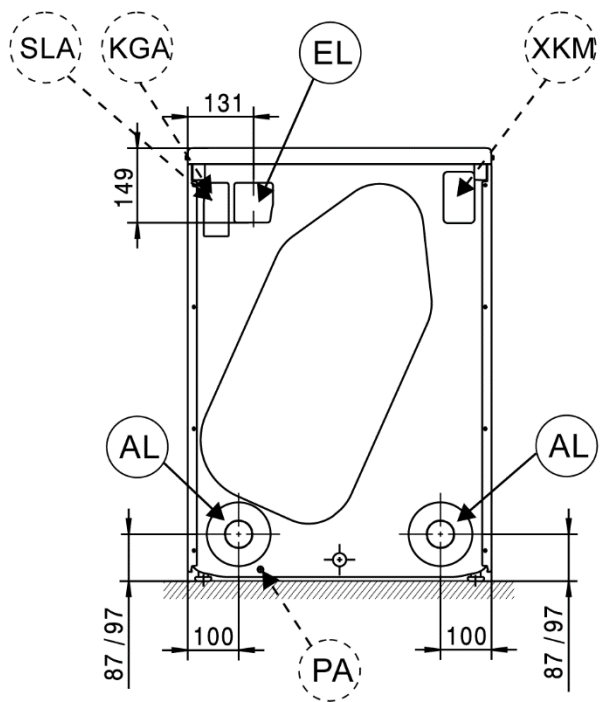
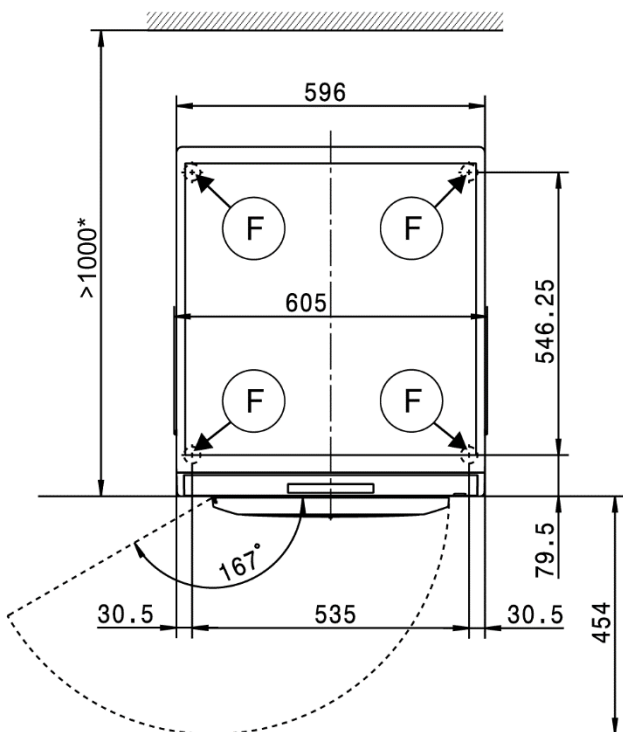
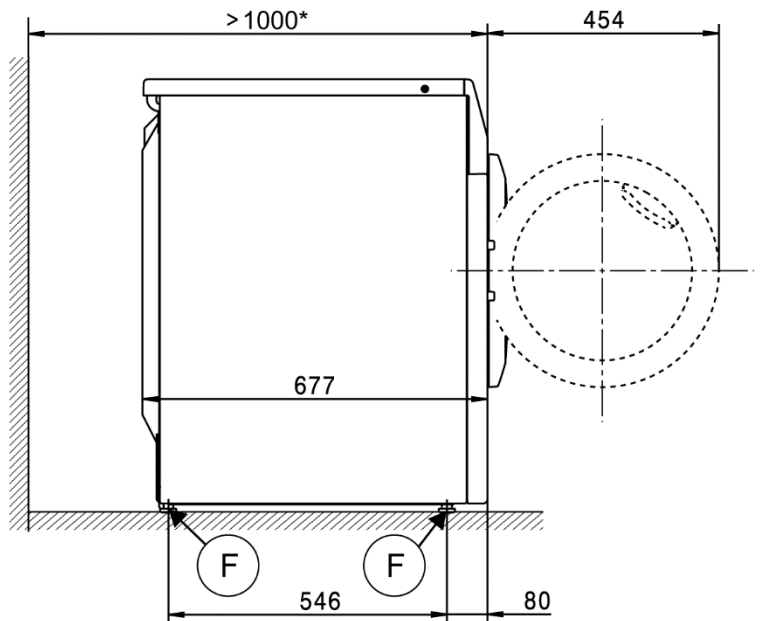
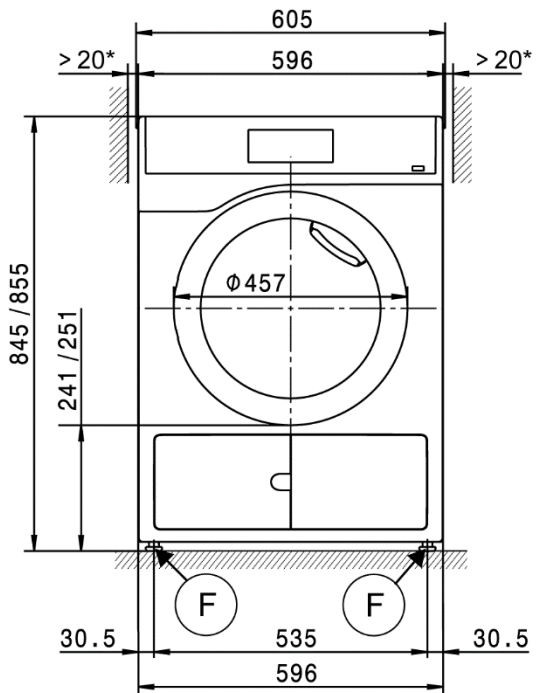
AL Exhaust air
ASK Condensate drain hose
B Appliance anchoring
EL Electrical connection
F Appliance feet, adjustable
KG Payment system
KGA Payment system connection
KLA Cooling air vent

KLZ Cooling air intake
PA Equipotential bonding
SLA Peak load connection
APCL SST Box plinth
APCL OB Open plinth
APCL 001 Washer-dryer stacking kit
XKM Communication module
ZL Air intake

Technical changes and errors excepted.

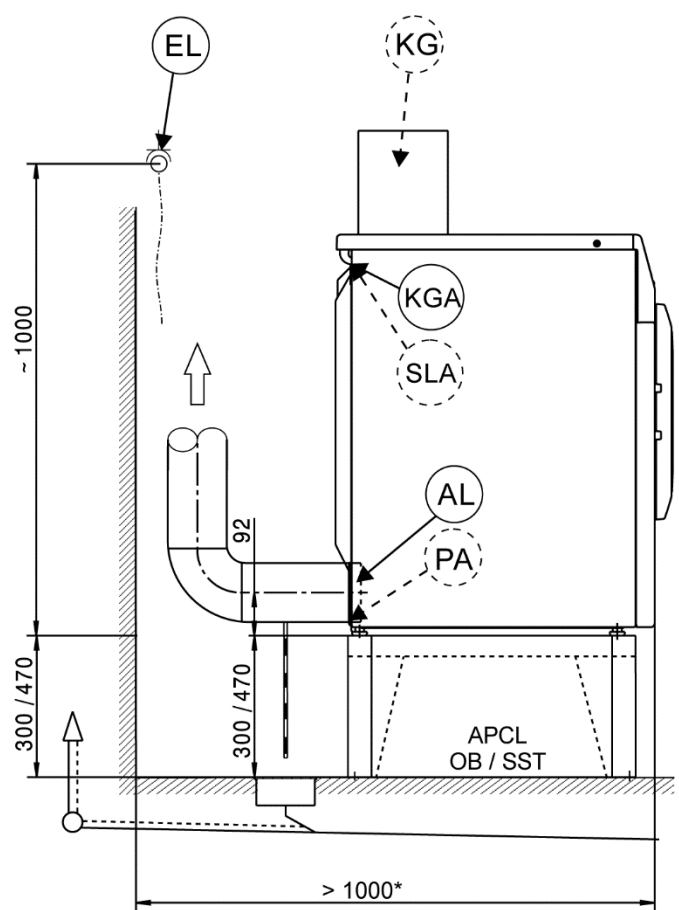
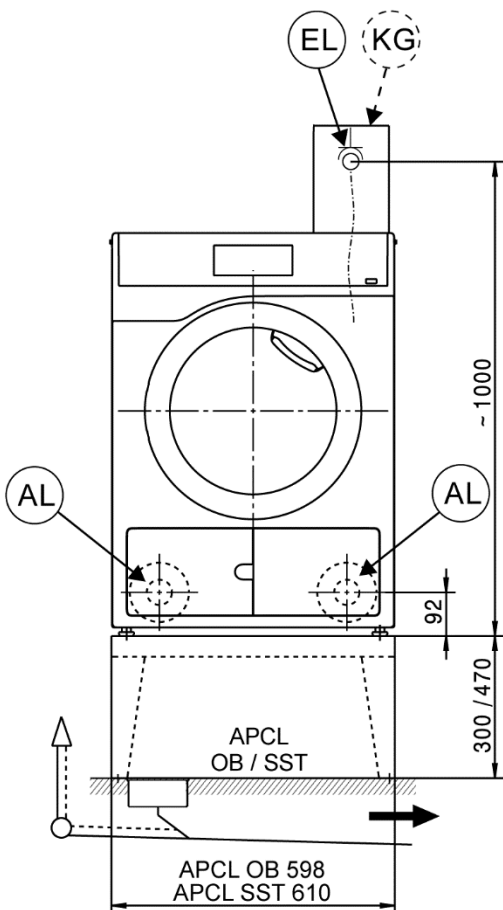
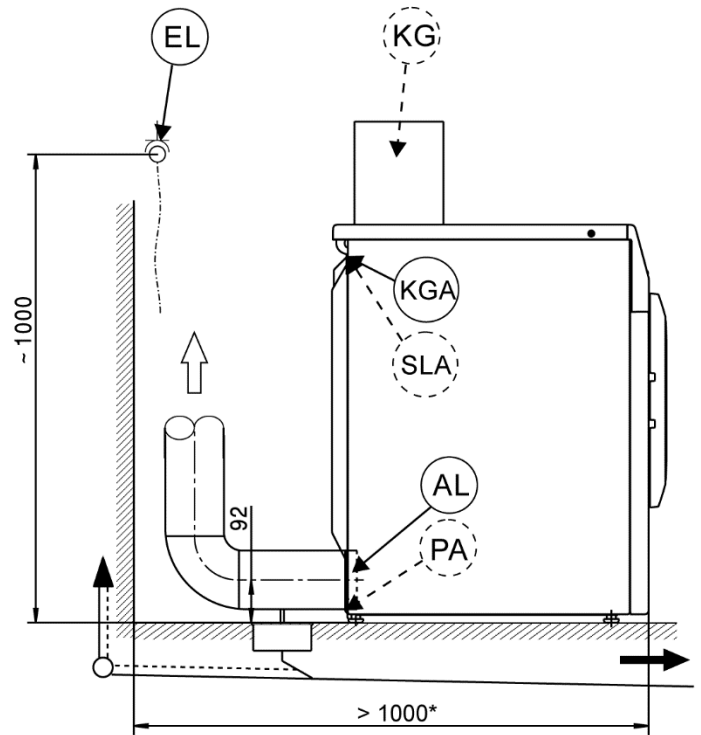
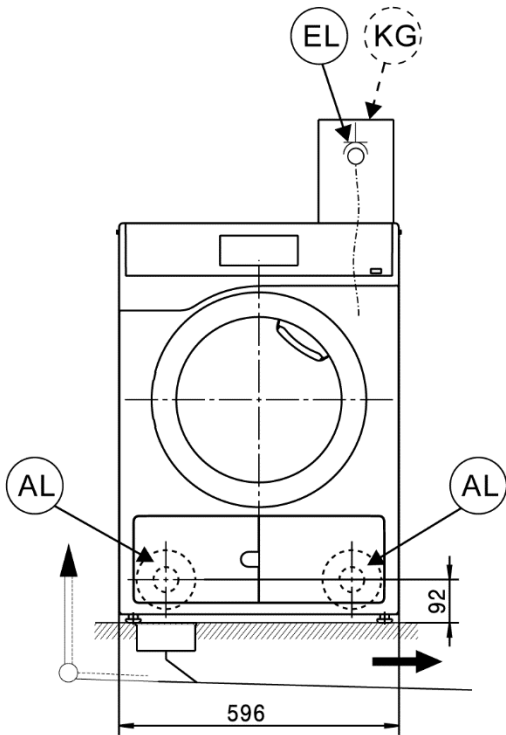
Appliance dimensions

* The wall spacers are recommended for making service work easier. The machine may be pushed against the wall if installation conditions mean there is limited space.



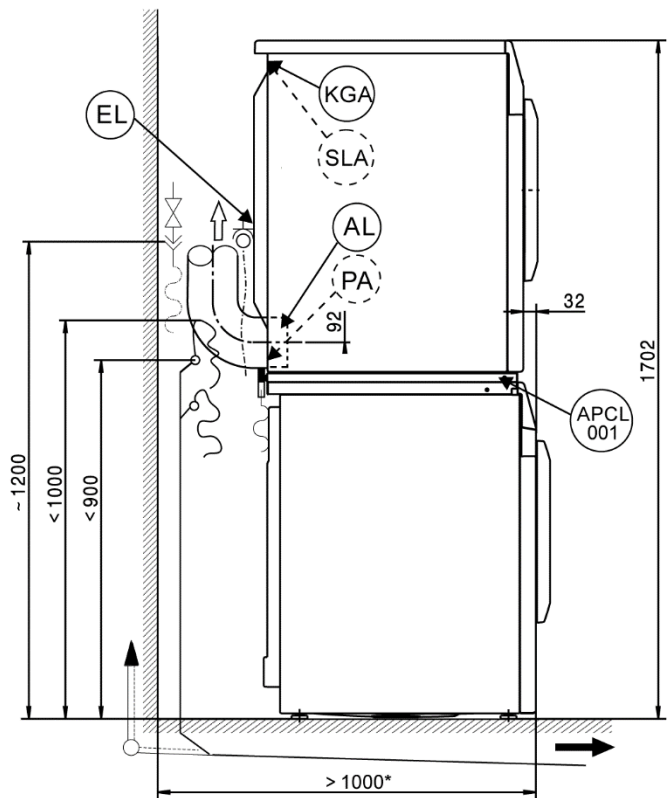
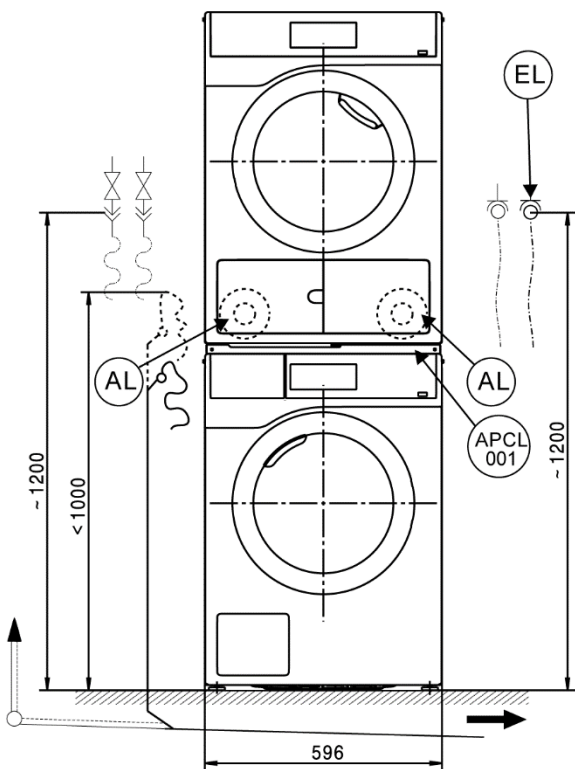
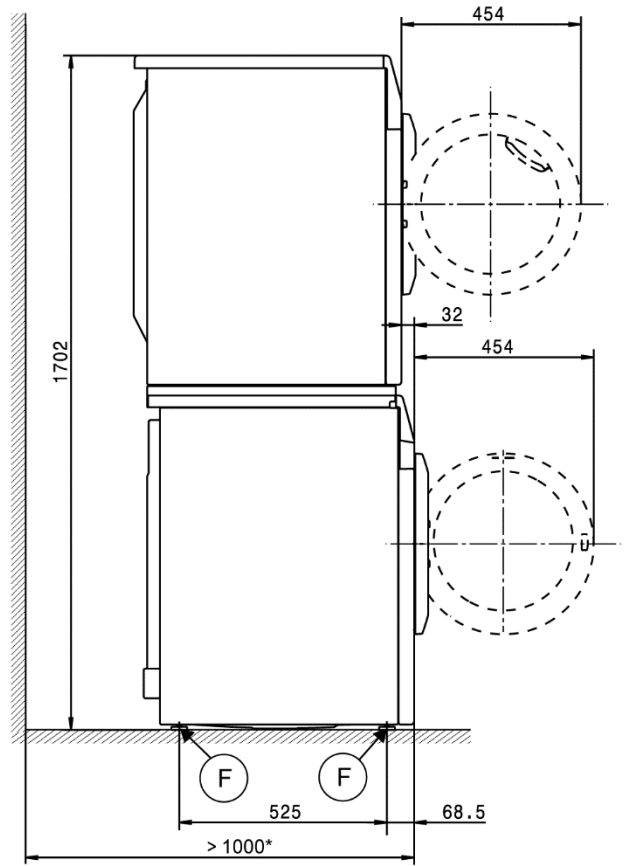
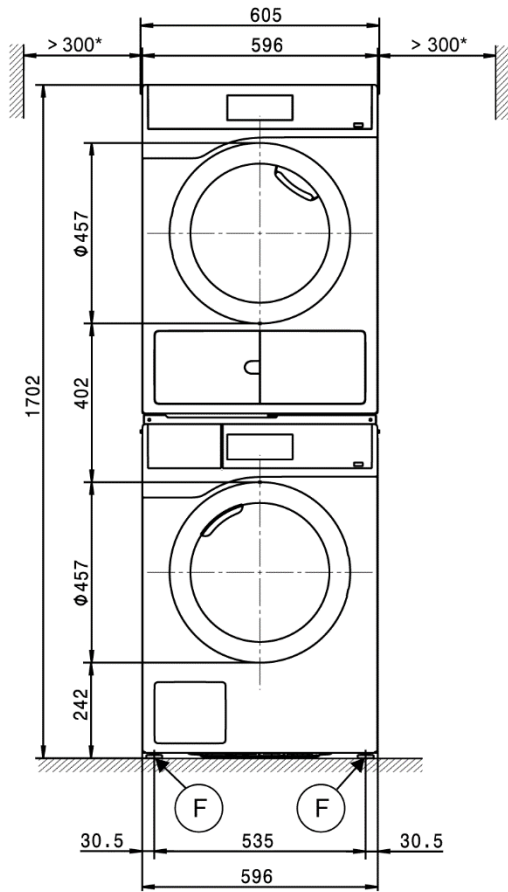
Installation

* The wall spacers are recommended for making service work easier. The machine may be pushed against the wall if installation conditions mean there is limited space.



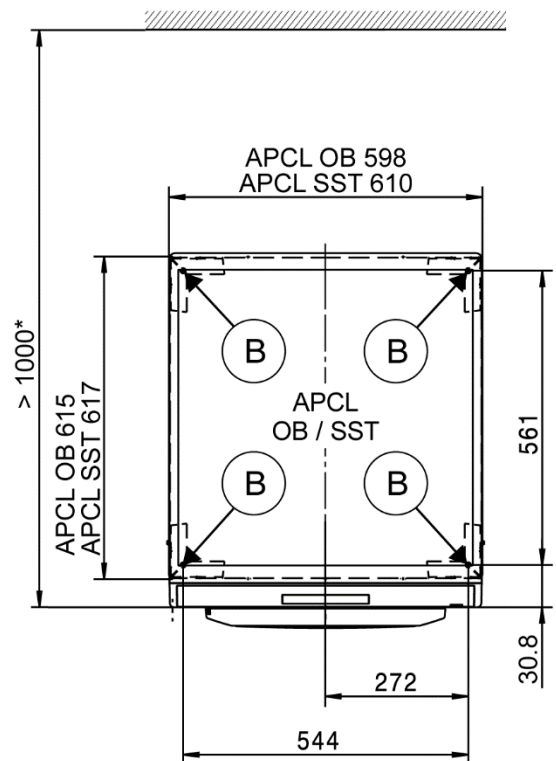
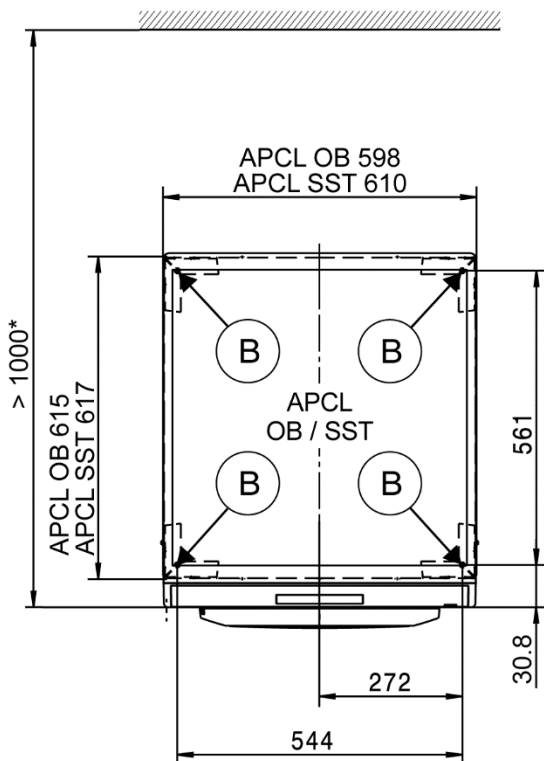
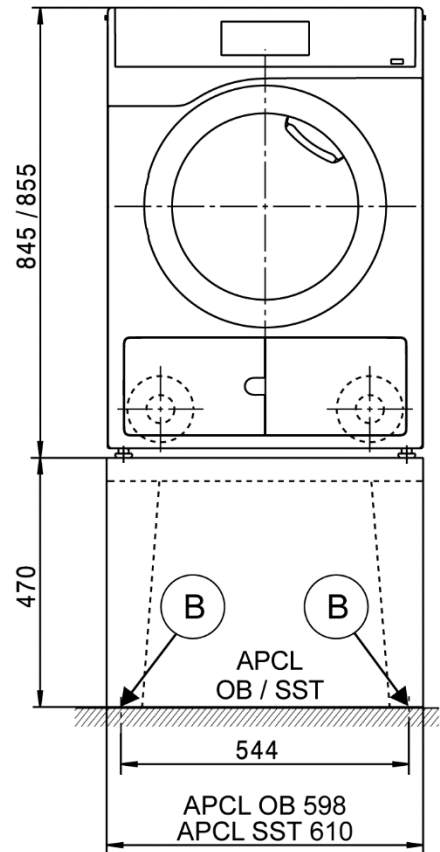
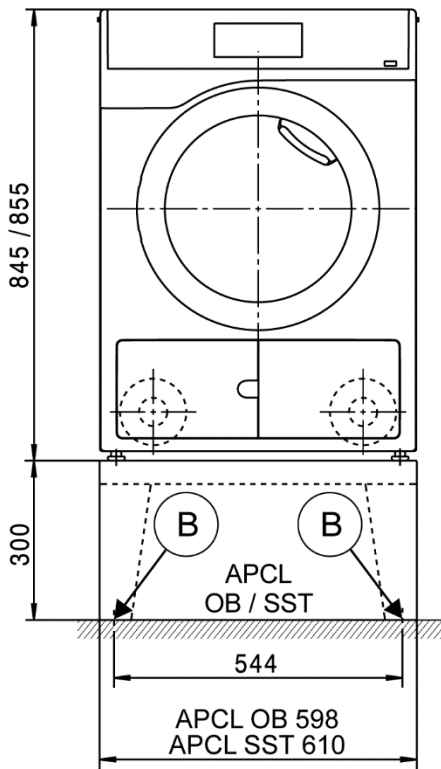
Washer-dryer stack

* The wall spacers are recommended for making service work easier. The machine may be pushed against the wall if installation conditions mean there is limited space.



Installation

* The wall spacers are recommended for making service work easier. The machine may be pushed against the wall if installation conditions mean there is limited space.



Technical data

		PDR 908 EL
Drying system		Exhaust air
Drum volume	l	130
Load capacity	kg	8.0
Door opening diameter	mm	370

Electrical connection (EL)

Standard voltage 25 A (AU, NZ)		1N AC 230 V
Frequency	Hz	50
Total rated load	kW	5.47
Fuse rating	A	1 x 25
Supply cable min. cross-section	mm ²	3 x 2.5
Supply cable without plug		●
Length of supply cable	mm	2000

Non-standard voltages MAR 400/440/480 (Marine)		3 AC 400/440/480 V
Frequency	Hz	50/60
Total rated load	kW	4.5/5.4/6.4
Fuse rating	A	3 x 10
Supply cable min. cross-section	mm ²	4 x 1.5
Supply cable without plug		●
Length of supply cable	mm	2000

Exhaust air (EL)

Connection (ext. diameter)	mm	100
Max. exhaust air temperature	°C	80

Electrical connection with 50 Hz/60 Hz

Max. permissible pressure loss	Pa	340
Max. flow rate w/o counterpressure (0 Pa) in vented mode	m ³ /h	285

Equipotential bonding (PA)

Appliance connection (with installation kit)		○
--	--	---

XCI-box / XCI-AD interface

		●
--	--	---

Peak load/energy management (SLA)

Appliance connection (with XCI-box)		○
-------------------------------------	--	---

Payment system connection (KGA)

Connection of payment systems (with XCI-box / XCI-AD)		○
---	--	---

Communication module (XKM)

Communication module XKM 3200 WL PLT		○
--------------------------------------	--	---

Installation on appliance feet (F)

No. of appliance feet	No.	4
Appliance foot, height-adjustable with thread	mm	± 5
Appliance foot diameter	mm	31.7

Anchoring (B)

Anchoring of Miele plinths		
Miele plinth installation (fasteners included)		○
Required anchor points	No.	4
Wood screws according to DIN 571	mm	8 x 65
Wall plugs (diameter x length)	mm	12 x 60

Plinth floor anchoring (to be provided on site)

Appliance installation on on-site base (concrete or masonry)		○
Min. plinth installation footprint (W/D)	mm	600/650
Wood screws according to DIN 571	mm	6 x 50
Wall plugs (diameter x length)	mm	8 x 40

● = standard, ○ = optional, + = only on request, - not available

Technical data

PDR 908 EL

Appliance data

Overall appliance dimensions (H/W/D)	mm	850/605/717
Casing dimensions (H/W/D)	mm	850/596/677

Site-access dimensions (H/W)

Min. site-access opening (excl. packaging)	mm	900/605
--	----	---------

Installation dimensions

Side gap	mm	20
Recommended side gap – washer-dryer stack	mm	300
Recommended distance to opposite wall from appliance front	mm	1000

Weights and floor loads

Appliance weight (net weight)	kg	51.5
Max. floor load in operation	N	670

Emissions

Sound pressure level (in accordance with EN ISO 11204/11203)	dB(A)	< 70
Heat dissipation rate to installation site	W	200

● = standard, ○ = optional, + = only on request, - not available

Installation and planning notes

Installation requirements

The tumble dryer should only be connected to a power supply provided in accordance with all applicable local and national legislation and regulations.

In addition, all regulations issued by the appropriate utilities as well as standards relating to occupational safety and all applicable valid regulations and technical standards must be observed.

General operating conditions

Ambient temperature in installation room: +2 °C to +35 °C.

Electrical connection

Depending on the model, the appliance is delivered with a supply cable with/without a plug.

The appliance may only be connected to an electrical system that conforms to the national and local codes and regulations. The installation must be performed by a suitably qualified and competent electrician.

The data plate indicates the nominal power consumption and the appropriate fuse rating. Compare the specifications on the data plate with those of the electrical power supply.

The tumble dryer can either be hard-wired or connected using a plug-and-socket connection. It is always recommended to connect the machine via a plug and socket so that electrical safety checks, e.g. during repair or service work, can be carried out easily.

If the appliance is hard-wired, an all-pole disconnection must be provided on site. When switched off, there must be an all-pole contact gap of at least 3 mm in the isolator switch (including circuit breakers, fuses, and relays according to AS/NZS 3000).

The plug connector or isolator switch should be easily accessible at all times. If the tumble dryer is disconnected from the electricity supply, the isolator must be lockable or the point of disconnection must be monitored at all times.

New connections, modifications to the system or servicing of the earthing conductor, including determining the correct fuse amperage, must be carried out by a qualified electrician, as they are familiar with the pertinent regulations and the specific requirements of the electric utility company.

If converting the tumble dryer to an alternative voltage, observe the instructions in the wiring diagram. Conversion may only be performed by Miele Professional Service or a Miele authorised service technician. The heater rating must also be adapted.

The tumble dryer must not be connected to devices such as timers which would switch it off automatically.

References to cable cross-sections in the technical data refer only to the required mains cable. Please consult relevant local and national regulations when calculating any other wire gauges.

Exhaust connection

Hot moist exhaust air should be vented to the atmosphere along the shortest possible route or connected to a suitable vent system.

Depending on the duct path, the moist exhaust air can condense on the duct walls to a greater or lesser extent. For this reason it is recommended to lay ducting with a downwards slope to the air exit.

If ducting slopes upwards, a condensate trap either with a drip tray or a connection to a suitable on-site floor drain must be fitted in the system at the lowest point.

Condensate must not flow back into the machine.

The exhaust air may be discharged directly through the outer wall. However, this must not cause any danger or unacceptable nuisance to the surrounding area.

The end of exhaust air ducting leading into the open should be protected against the elements, e.g. using a suitable hood or grille or with a 90° bend.

The cross-sectional area of the ducting must not be reduced or obstructed by built-in parts. Filters and louvers must not be fitted in the ducting.

Exhaust air congestion in the duct may lead to a drop in machine performance or to a safety switch-off of the appliance.

Proper functioning of the tumble dryer cannot be guaranteed if the max. permissible pressure loss is exceeded in the on-site vent ducting system.

When connecting several tumble dryers to a common duct, the cross-sectional area of the duct must be increased accordingly.

Additionally, in this case every machine must have its own non-return valve to prevent dryers affecting others in the system. This requires the provision of on-site additional parts.

In the event that exhaust air ducts from several tumble dryers are merged into a common duct, a non-return device should be installed in each separate duct to prevent backflow.

With complex ducting with many bends and additional components, or with the connection of several different machines to a common duct, it is recommended that a detailed calculation is carried out by a suitable specialist.

Air intake

The air supply for the tumble dryer is taken directly from the installation site.

During operation, adequate ventilation of the installation site should be guaranteed. Depending on the machine version, it is necessary to ensure an intake of fresh air to compensate for the volume of exhaust air extracted in order to avoid the creation of a vacuum.

It should not be possible to close or otherwise obstruct air intake grilles or alternative measures should be implemented to ensure that an adequate supply of fresh air is available at all times during tumble dryer operation.

Equipotential bonding

If necessary, equipotential bonding with good galvanic contact must be guaranteed in compliance with all applicable local and national installation specifications.

Connection material for equipotential bonding must be provided on site or using a kit available from Miele.

Peak load/energy management

The machine can be connected to a peak load or energy management system using an optional kit.

When the peak load function is activated, the heating is deactivated. A message appears in the display to inform you of this.

Payment system

The tumble dryer can be fitted with a single-machine payment system as an optional accessory using an optional kit (XCI-box / XCI-AD).

The programming required for connecting a payment system can be carried out during the initial commissioning process. After initial commissioning, changes can only be made by your Miele dealer or by Miele Professional Service.

Interface

The tumble dryer can be retrofitted with an XKM 3200 WL PLT communication module.

This module can be used as a Wi-Fi or LAN interface.

The LAN interface provided complies with AS/NZS 60950. The LAN connection uses a RJ45 connector in accordance with EIA/TIA 568-B.

Installation and anchoring

The machine must be installed on a perfectly smooth, level and firm surface which is able to withstand the quoted loads.

The floor load created by the machine is concentrated and transferred to the installation footprint via the machine feet.

The tumble dryer should be levelled in both directions with the aid of the adjustable feet.

Plinth installation

The tumble dryer can be installed on a plinth (open or box plinth, available as an optional Miele accessory) or on a concrete plinth to be provided on site.

The quality of the concrete and its strength must be assessed according to the machine load. Ensure that any raised concrete plinth is adequately bonded to the floor below.

Washer-dryer stack

The tumble dryer can be installed as a washer-dryer stack together with a Miele washing machine. A stacking kit (optional accessory) is required for this.

The stacking kit must be installed by Miele Professional Service or an authorised Miele service technician.