

Installation plan

PG 8582 CD
PG 8583 CD

To avoid the risk of accidents or damage to the machine, it is **essential** to read these instructions as well as the service documents before it is installed, commissioned and used for the first time.

en - GB, IE

Installation notes

- Installation requirements** This machine must be connected to the mains supply, and plumbed in, in accordance with the installation instructions provided. Installation must only be carried out by **authorised installers** in accordance with valid regulations, relevant standards and health and safety codes.
The machine must be commissioned and operators trained in its use by Miele Service or by an approved Miele Service Dealer only.
- Surrounding area** **Condensate** can build up in the area surrounding the machine. Any cabinetry and fixtures in the room must be suitable. If the machine is installed under a countertop (built-under model), the protective foil supplied must be stuck to the underside of the worktop and a stainless steel panel must be installed above the door opening to provide protection from the steam. The stainless steel panel can be ordered from Miele.
- Preventing a build-up of heat** During the active drying process (TA) there is a risk of heat building up. A build-up of heat at the back of the machine can cause the machine casing and electronic components to overheat. A build-up of heat can also cause condensate to settle on adjoining surfaces. This can lead to a reduced machine lifespan and cause damage to surrounding units and worktops.
- To prevent a build-up of heat, ensure that there is sufficient space for **air to circulate** behind base units.
 - Leave a minimum safety gap of **10 mm for air flow** between a built-under machine and the worktop above it.
 - Do not seal any gaps between base units or between base units and the machine.
 - If necessary, fit **ventilation grilles** in adjoining units and in the worktop.
- Cooling the exhaust air** Activate **“Air cooling”** if ambient room temperature exceeds 30 °C. This option is found in the System settings menu under **“Further settings”**.
- Plumbing** This machine can be connected directly to a cold water supply or a hot water supply using the supplied double check valves, or to a demineralised water supply. Use the **Y-piece** supplied to connect the inlet hoses to the machine (KW) and to the steam condenser (DK). Alternatively, you may also install an additional cold water supply and connect the steam condenser to this supply.
If access to a hot water supply is not available, a **Y-piece** must be used to connect both inlet hoses (KW cold water and WW hot water) to the cold water supply.
The stopcocks must be easily accessible.
- Electrical connection** Connection to the electrical supply must be carried out in accordance with local and national safety regulations. The power cord must be protected from the risk of thermal damage.
It is recommended to make electrical connection via a **plug and**

socket so that electrical safety checks can be carried out easily. For **hard-wired** machines, connection must be via a main switch to be provided on site, which must completely isolate the machine from the power supply with a contact gap of at least 3 mm. The plug and socket as well as the main switch must be easily accessible after the machine has been installed.

Equipotential bonding and earthing

For added safety the machine should be protected with a **residual current device** with trip current of 30 mA.

Equipotential bonding should be carried out if required. A screw connection for equipotential bonding is provided at the back of the machine. Equipotential bonding and earthing must be completed before the machine is commissioned.

Liquid media: position of external containers

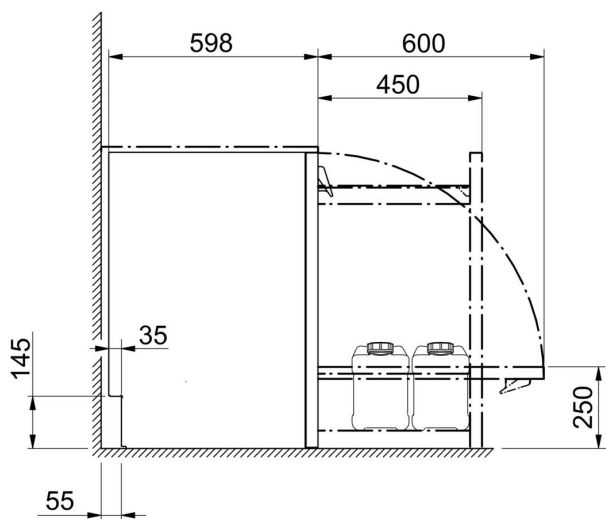
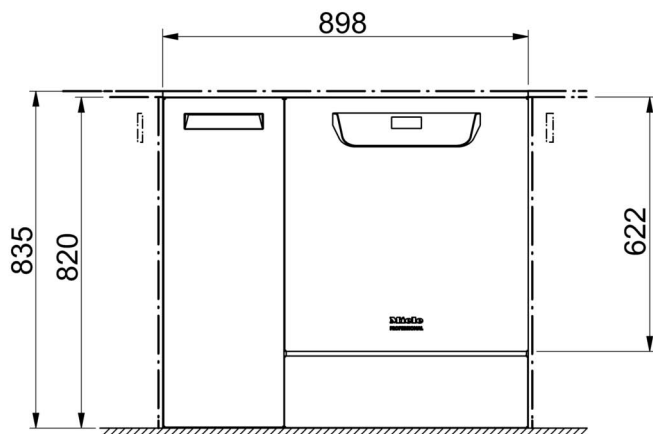
The liquid agent container for external dispensing must be placed **next to or underneath** the machine. Place the container next to the machine on the floor or in an adjacent cabinet.

Do not position the container above the machine. The dispenser hose must not be kinked or trapped.

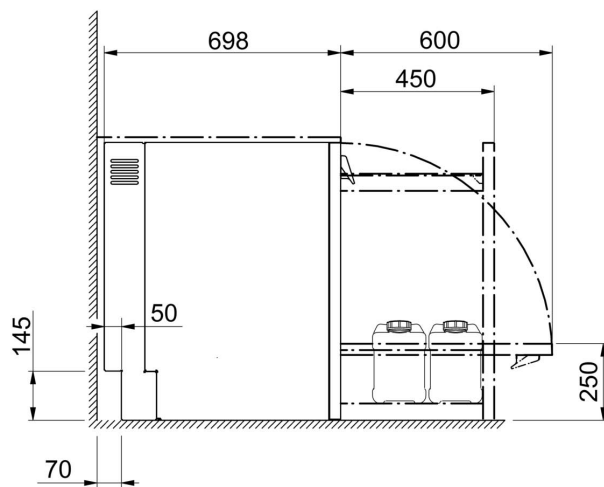
Communication modules

Ethernet and **RS232 modules** are available as optional extras. They are not supplied with the machine. The connection box for these should be installed near the machine for transferring and printing process data. These must be installed and connected in accordance with **IEC 60950**.

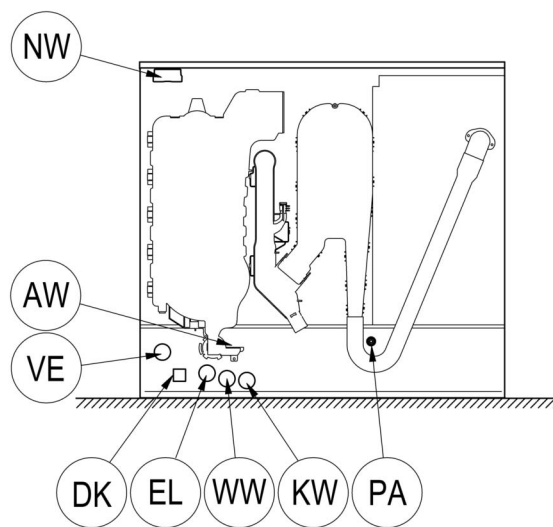
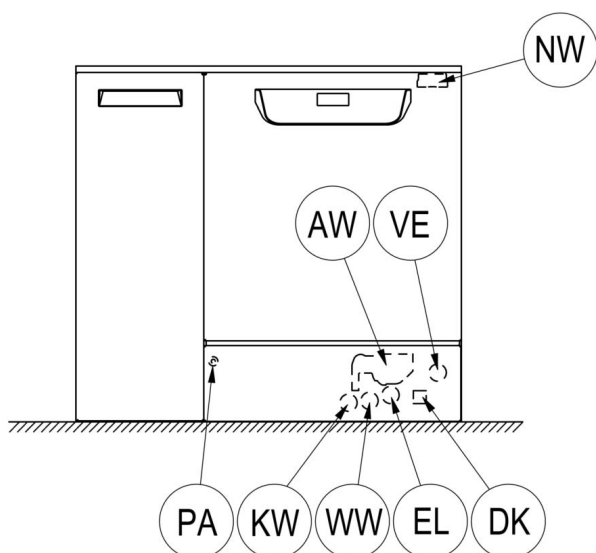
Illustrations



Dimensions, standard version



Dimensions, extended depth



EL Electrical connection

KW Cold water connection

DK Cold water connection, steam condenser

NW Network and printer connection (optional)

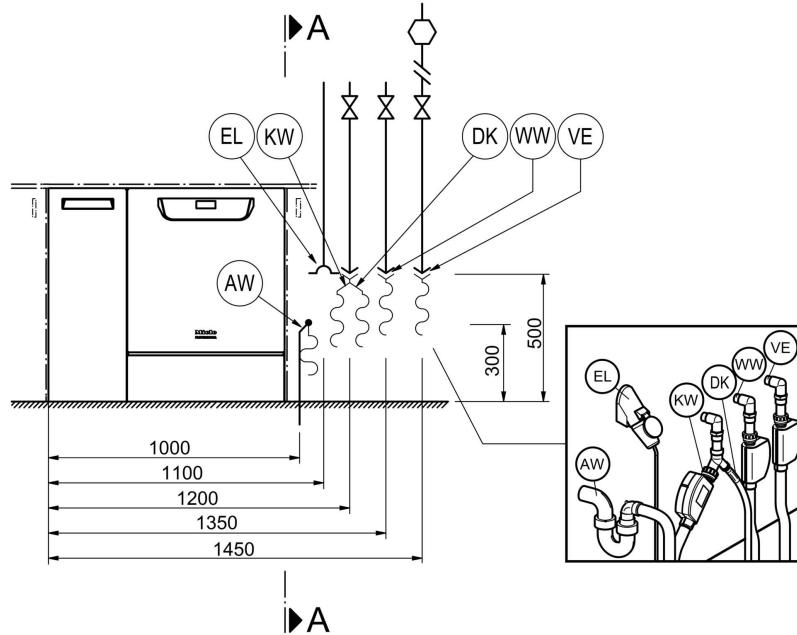
WW Hot water connection

AW Drain connection

VE Demineralised water connection

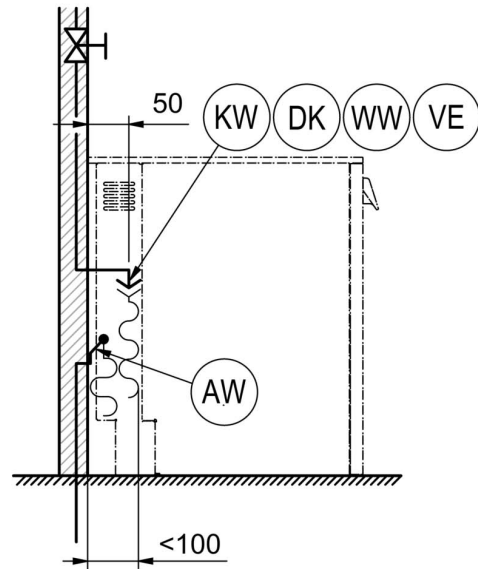
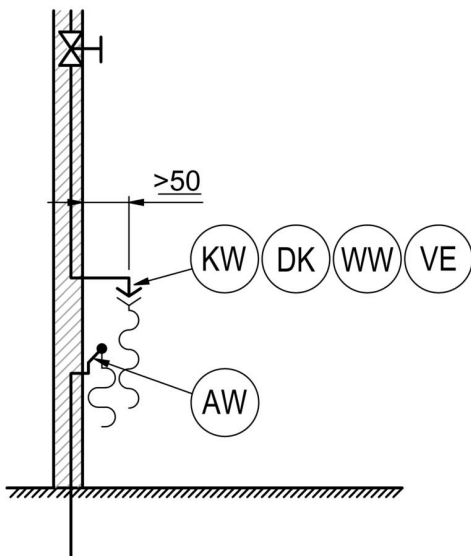
PA Equipotential bonding

Use the enclosed Y-piece to connect the steam condenser to the cold water supply using the supplied double check valve. In the UK the (DK) cold (KW) and hot (WW) water inlet hoses must be connected to the potable water using the supplied double check valves.



A - A

A - A



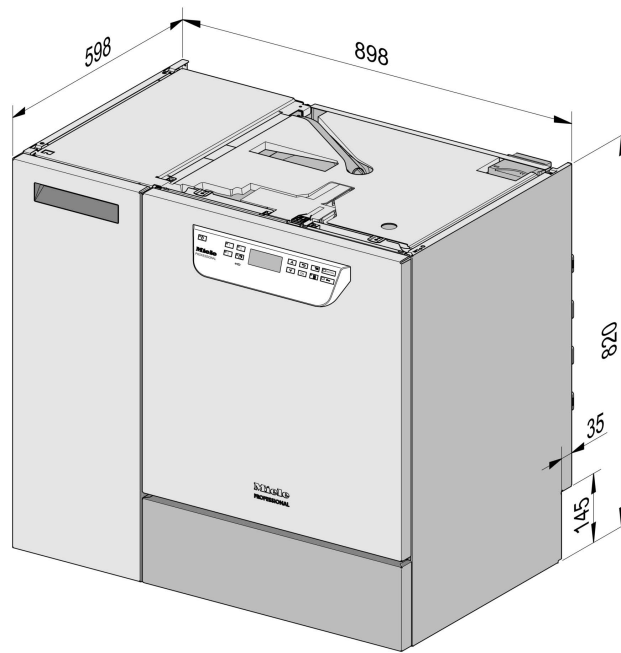
Connection points

on machines with increased depth

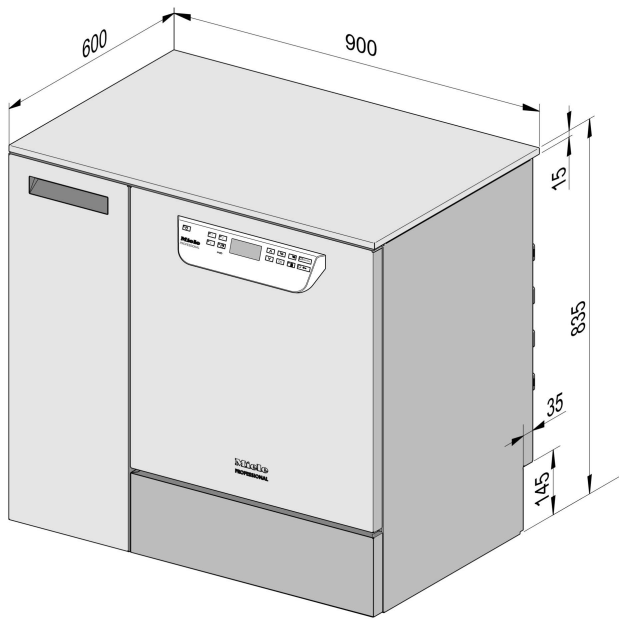
EL	Electrical connection	WW	Hot water connection
KW	Cold water connection	AW	Drain connection
DK	Cold water connection, steam condenser	VE	Demineralised water connection
NW	Network and printer connection (optional)	PA	Equipotential bonding

Illustrations

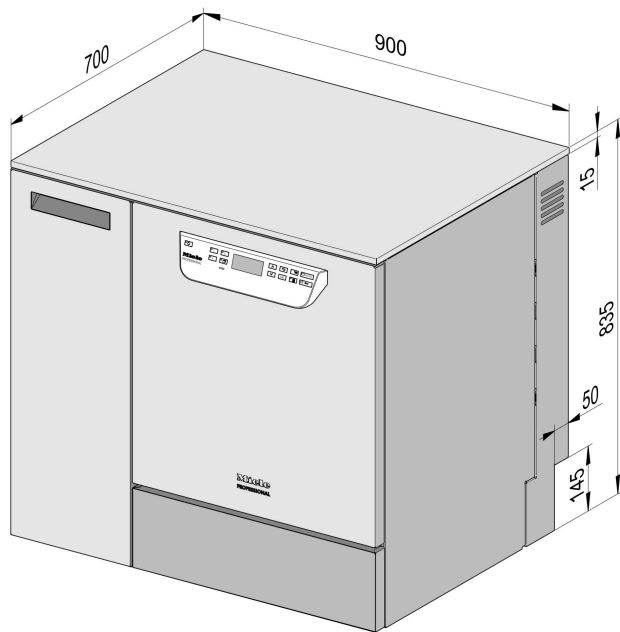
Machine versions



Standard undercounter model



with lid
(optional)



with increased depth and lid
(optional)

Electrical connection

Voltage (standard version)	3N AC 400/50
Total connected load	9.3 kW
Fuse rating	3 x 15-16 A
Connection cable, cross-section min.	5 x 2.5 mm ²
Length of mains connection cable (H05(07)RN-F)	1.8 m
Voltage (convertible)	AC 230/50
Total connected load	6.3 kW
Fuse rating	1 x 30-32 A
Connection cable, cross-section min.	3 x 4 mm ²
Length of mains connection cable (H05(07)RN-F)	1.9 m

Cold water connection

(UK: the supplied double check valve must be fitted)

Maximum incoming temperature	20 °C
Max. permitted water hardness	12.6 mmol/l
	70 °dH
Recommended flow pressure	200 kPa
Minimum flow pressure with extended water intake	100 kPa
Maximum pressure	1,000 kPa
Flow rate	7.5 l/min
On-site threaded union in accordance with DIN 44991 (flat sealing)	3/4 Inch
Length of cold water inlet hose	1.7 m
Length of steam condenser inlet hose	1.7 m

Hot water

(UK: the supplied double check valve must be fitted)

Maximum incoming temperature	60 °C
Max. permitted water hardness	12.6 mmol/l
	70 °dH
Recommended flow pressure	200 kPa
Minimum flow pressure with extended water intake	40 kPa
Maximum pressure	1,000 kPa
Flow rate	7.5 l/min
On-site threaded union in accordance with DIN 44991 (flat sealing)	3/4 Inch
Length of hot water inlet hose	1.7 m

Technical data

Demin. water

Maximum incoming temperature	60 °C
Recommended flow pressure (AD pressure-resistant)	200 kPa
Minimum flow pressure with extended water intake	30 kPa
Maximum pressure (AD pressure resistant)	1,000 kPa
Flow rate	7.5 l/min
On-site threaded union in accordance with DIN 44991 (flat sealing)	3/4 Inch
Length of demin. water inlet hose	1.7 m

PG 8583 CD: machines with a booster pump for demineralised water (ADP) are only suitable for connection/use with a non-pressurised system (PG 8583 CD only).

Minimum flow pressure with extended water intake	8.5 kPa
Maximum pressure (AD unpressurised)	60 kPa
Machine connection (dia. x l)	6 x 30 mm

Waste water

Drainage water temperature	93 °C
Drain hose length, standard	1.4 m
Drain hose, max. drainage length	4.0 m
Max. drain pump head height from bottom edge of machine	1.0 m
Max. transient flow rate	16 l/min
On-site sleeve for drain hose (dia. x length)	22 x 30 mm

Machine feet

Height adjustment at the front	0 - 8 mm
Diameter of machine feet	35 mm
Insert for machine foot, size of thread	M 8

Machine data

Building-under height	820 mm
Height including lid	835 mm
Width	898 mm
Depth	598 mm
Depth incl. 10 cm extended building-in depth	698 mm
Door height	622 mm
Net weight	98 kg
Floor load in operation	2,000 N
Min. access width, incl. transport pallet	1,170 mm
Min. access depth incl. transport pallet	740 mm
Min. access height, incl. transport pallet	1,000 mm
Noise level in dB (A), sound pressure LpA during cleaning and drying phases	< 70 dB

Heat dissipation rate to installation site

From heat radiation during operation	0.35 kWh
From load whilst unloading	0.40 kWh

Installation requirements

Permissible ambient temperature	40 °C
Max. relative humidity up to 31 °C	80 %
Rel. humidity, declining proportionally to 40 °C	50 %
Max. installation altitude above sea level	1,500 m

United Kingdom

Miele Co. Ltd.
Fairacres, Marcham Road
Abingdon, Oxon, OX14 1TW
Professional Sales, Tel: 0845 365 6608
E-mail: professional@miele.co.uk
Internet: www.miele.co.uk/professional

Australia

Miele Australia Pty. Ltd.
ACN 005 635 398
ABN 96 005 635 398
1 Gilbert Park Drive, Knoxfield, VIC 3180
Tel: 1300 731 411
Internet: www.miele-professional.com.au
E-mail: info@miele-professional.com.au

China

Miele (Shanghai) Trading Ltd.
1-3 Floor, No. 82 Shi Men Yi Road
Jing' an District, 200040 Shanghai, PRC
Tel: +86 21 6157 3500, Fax: +86 21 6157 3511
E-mail: info@miele.cn, Internet: www.miele.cn

Miele (Hong Kong) Limited

41/F - 4101, Manhattan Place
23 Wang Tai Road
Kowloon Bay, Hong Kong
Tel: (852) 2610 1025, Fax: (852) 3579 1404
Email: customerservices@miele.com.hk
Website: www.miele.hk

India

Miele India Pvt. Ltd.
Ground Floor, Copia Corporate Suites
Plot No. 9, Jasola
New Delhi - 110025
Tel: 011-46 900 000, Fax: 011-46 900 001
E-mail: customercare@miele.in, Internet: www.miele.in

Ireland

Miele Ireland Ltd.
2024 Bianconi Avenue
Citywest Business Campus, Dublin 24
Tel: (01) 461 07 10, Fax: (01) 461 07 97
E-Mail: info@miele.ie, Internet: www.miele.ie

Manufacturer: Miele & Cie. KG
Carl-Miele-Straße 29, 33332 Gütersloh, Germany



Miele
PROFESSIONAL

Malaysia

Miele Sdn Bhd
Suite 12-2, Level 12
Menara Sapura Kencana Petroleum
Solaris Dutamas No. 1, Jalan Dutamas 1
50480 Kuala Lumpur, Malaysia
Phone: +603-6209-0288
Fax: +603-6205-3768

New Zealand

Miele New Zealand Limited
IRD 98 463 631
Level 2, 10 College Hill
Freemans Bay, Auckland 1011, NZ
Tel: 0800 464 353
Internet: www.miele-professional.com.au
E-mail: info@miele-professional.com.au

Singapore

Miele Pte. Ltd.
163 Penang Road
04 - 03 Winsland House II
Singapore 238463
Tel: +65 6735 1191, Fax: +65 6735 1161
E-Mail: info@miele.com.sg
Internet: www.miele.sg

South Africa

Miele (Pty) Ltd
63 Peter Place, Bryanston 2194
P.O. Box 69434, Bryanston 2021
Tel: (011) 875 9000, Fax: (011) 875 9035
E-mail: info@miele.co.za
Internet: www.miele.co.za

United Arab Emirates

Miele Appliances Ltd.
Gold & Diamond Park
Office No. 6-217, Sheikh Zayed Road
P.O. Box 11 47 82 - Dubai
Tel. +971 4 3044 999, Fax. +971 4 3418 852
800-MIELE (64353)
E-Mail: info@miele.ae, Website: www.miele.ae