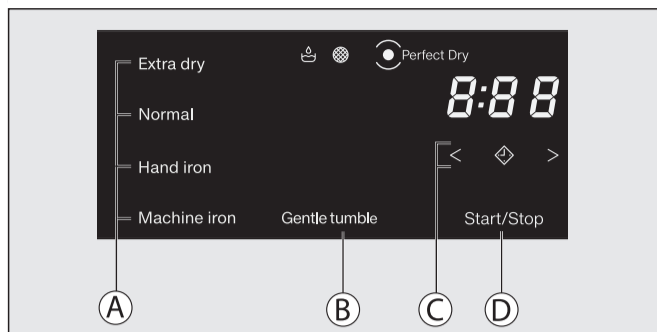


⚠ It is essential to read the operating instructions and pay particular attention to the warnings and safety instructions.

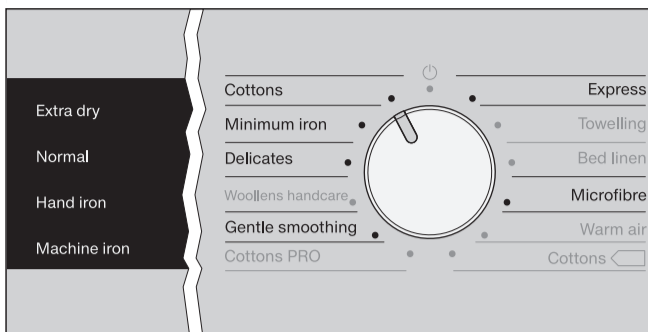
How the control field works



The **A**-**D** sensor controls react to fingertip contact. If a sensor control is illuminated, it can be selected.

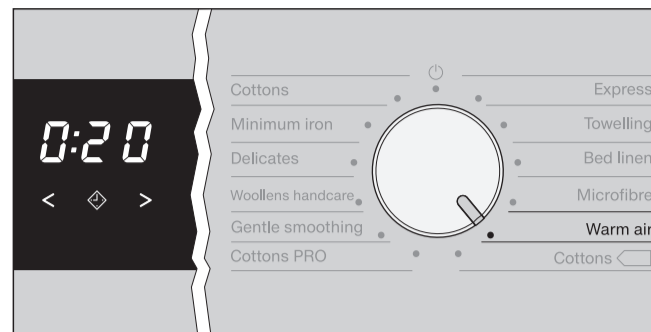
◊ sensor control = delay start period (then use < > to select the duration).

Programme selection – drying level



- Touch the sensor control for the drying level.
- If a sensor control is brightly lit, this means it is currently selected
- If a sensor control is dimly lit, this means it can be selected

Programme selection – warm air



- Touch the < or > sensor control until the required duration lights up. You can select a duration of between 0:20 minutes and 2:00 hours.

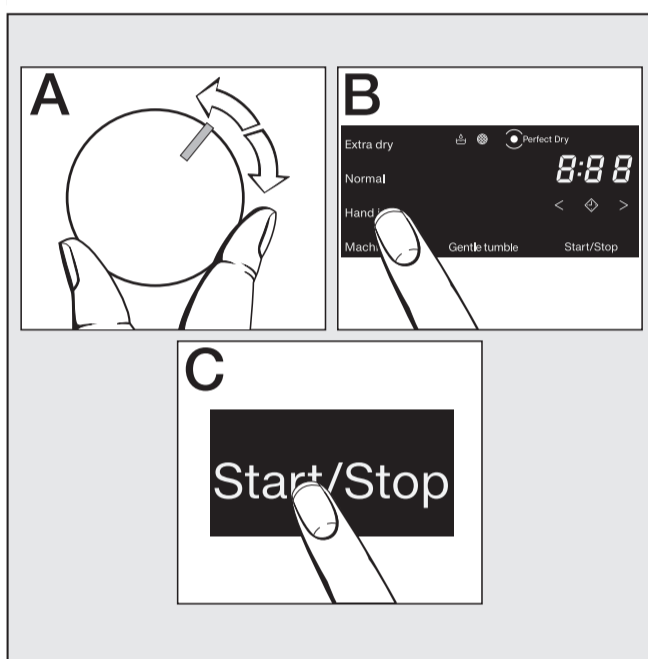
2 Sort the laundry and load the drum



- ⊗ = do not tumble dry,
- ⊙ = normal/higher temperature
- ⊕ = select *Gentle tumble*

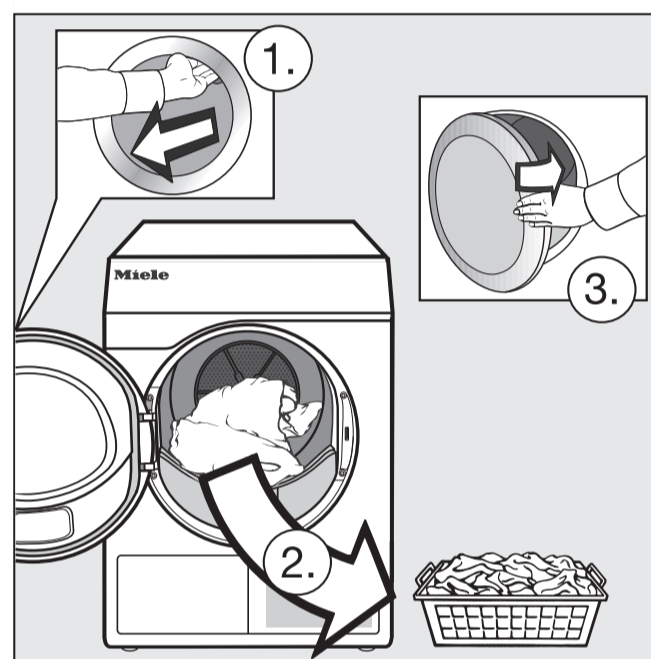
■ Load the laundry

3 Select and start the programme



- Select the programme
- Select the drying level or duration
- Touch the *Start/Stop* sensor control

4 Unload the laundry

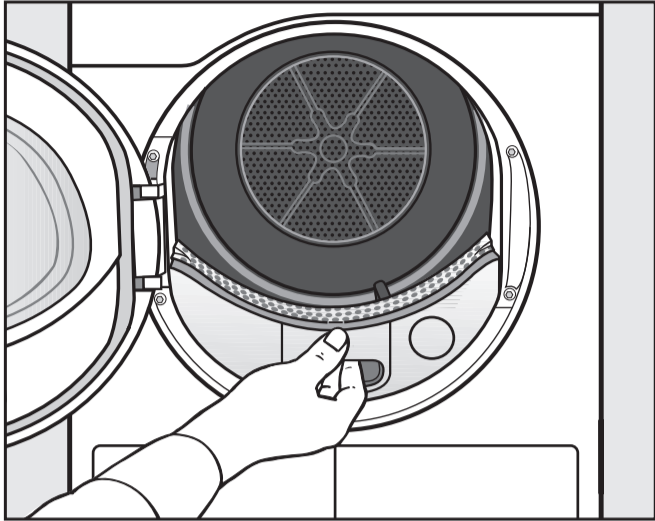


- End of programme: 0:00 is displayed
- Open the door
- Unload the laundry

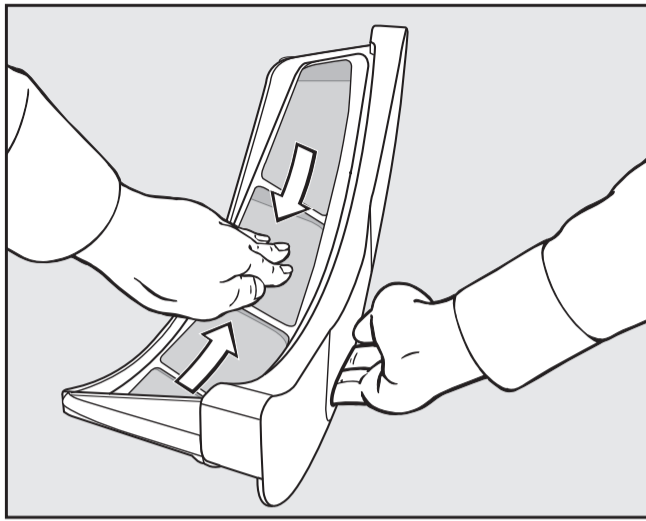
Programmes	kg	Textiles	
Cottons Extra dry, Normal, Hand iron, Machine iron	7	Jackets, workwear, overalls, aprons, baby clothes, t-shirts, underwear, cotton blankets, tea towels, hand towels, bath towels, towelling bathrobes, jersey bed linen, boil-proof table linen – To prevent laundry from drying out, it should be rolled up until you are ready for ironing.	✓
Minimum iron Normal, Hand iron	4	Workwear, overalls, tops, dresses, trousers, table linen, tights	✓
Delicates Normal, Hand iron	4	– Delicate synthetic, cotton or mixed fibre fabrics – Delicate tops, dresses, trousers, overalls, table cloths, shirts, blouses, lingerie and garments decorated with sequins and beading	●
Woollens handcare	2	Pullovers, knitted garments, tights and socks	–
Gentle smoothing Normal, Hand iron	1	Cotton and linen fabric	●
Cottons PRO	7	Cotton items with normal residual moisture such as those described under <i>Cottons</i>	–
Express Extra dry, Normal, Hand iron, Machine iron	4	Items suitable for the <i>Cottons</i> programme	–
Towelling	7	Items made from 100 % towelling, hand towels, bath towels/bathrobes, face flannels, bed linen	–
Bed linen	4	Bed linen, pillowcases	–
Microfibre Extra dry, Normal	7	Microfibre mops and cleaning cloths	–
Warm air	7	Jackets, pillows, sleeping bags, items made up of multiple layers, heavy cotton table cloths, individual items of laundry	✓
Cottons Eco ◀	7	Cotton items with normal residual moisture such as those described under <i>Cottons</i>	–

Clean after drying and when the  indicator light comes on*

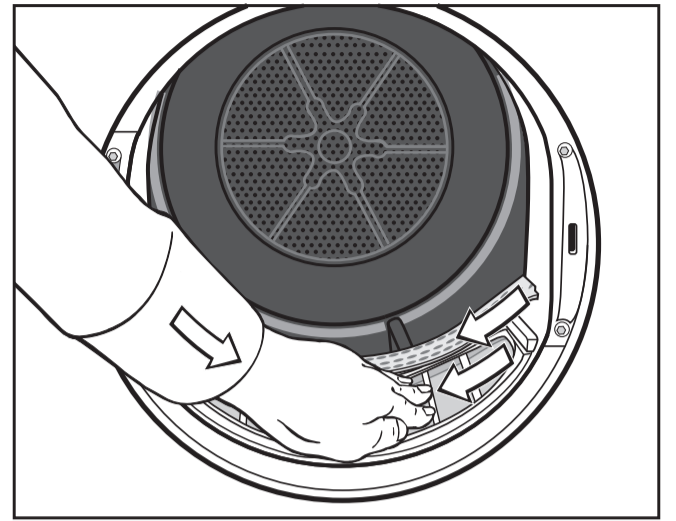
Tip: Have a vacuum cleaner ready



- Remove the fluff filter

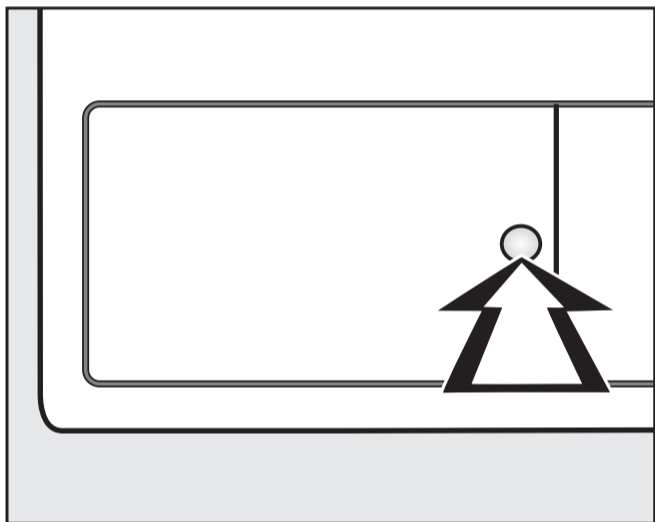


- Remove the fluff with your fingers or with a vacuum cleaner
- For heavy soiling: see the operating instructions

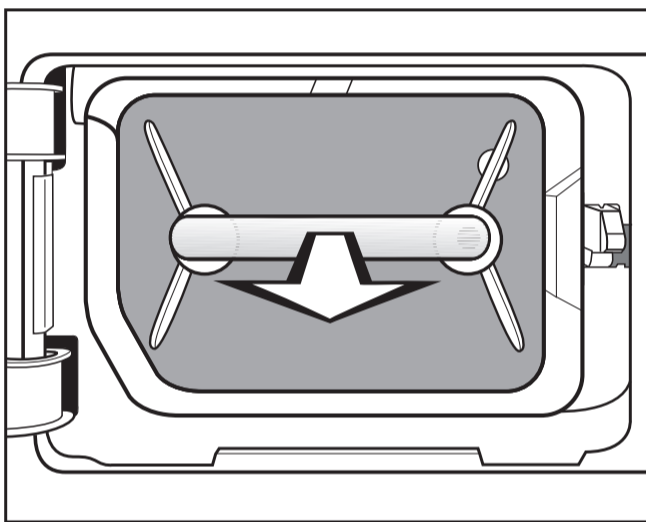


- Remove the fluff with your fingers or with a vacuum cleaner
- For heavy soiling: see the operating instructions

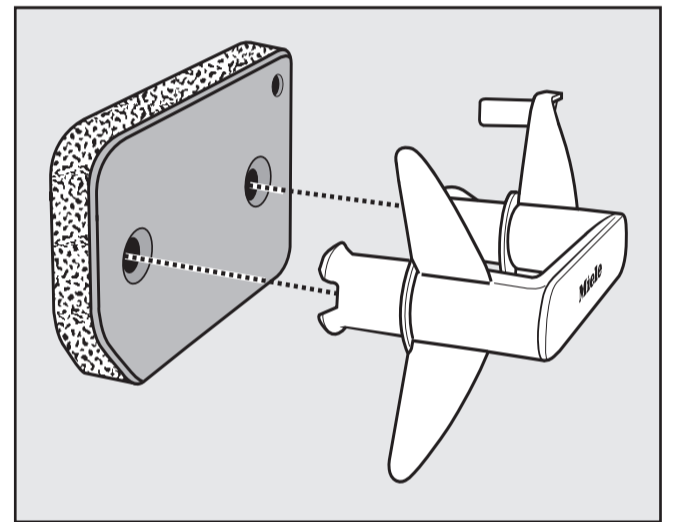
Clean once a day when in continuous use and when the  indicator light comes on*



- Open the access panel



- Pull the plinth filter out by the handle



- Pull the handle out of the filter
- Check the plinth filter at regular intervals for signs of wear
- Rinse the plinth filter, squeeze it gently and leave it to dry
- Connect the handle
- Reinsert the plinth filter

* To turn the  indicator light off:

- Open and close the door whilst the tumble dryer is switched on.

