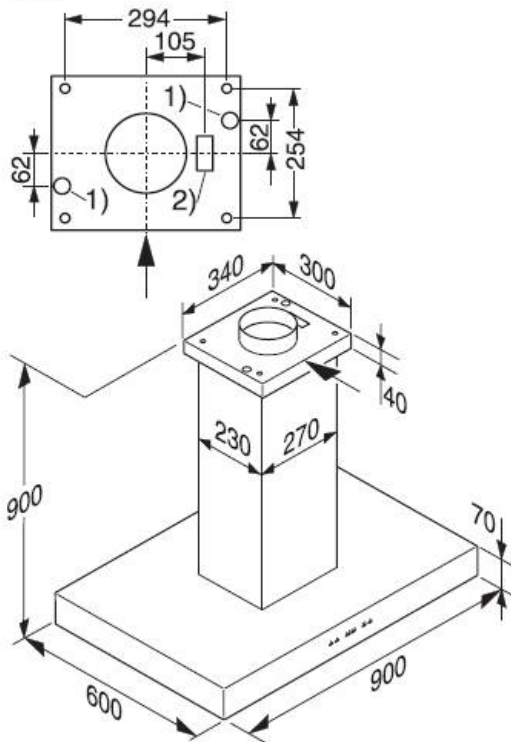


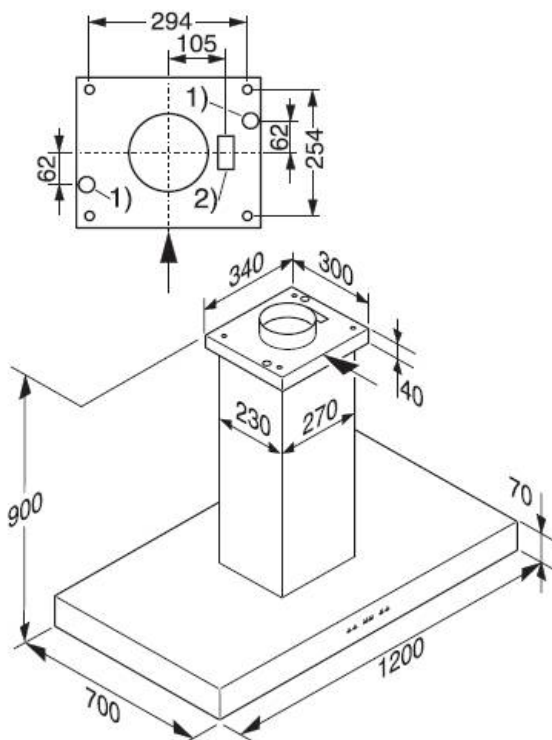
Cooker hoods
 DA 420
 DA 420 EXT
 DA 424
 DA 424 EXT

DA 420



(Ceiling fixing viewed from above)

DA 424



(Ceiling fixing viewed from above)

1) Alternative positions for feeding through the mains cable

2) For EXT models only: cut-out for feeding the connection cable through to an external fan, min. 65 x 30 mm

Exhaust connection \varnothing 150 mm

Safety distance between hob and cooker hood

For safety reasons a minimum safety distance must be maintained between the top of the cooker/hob and the bottom of the cooker hood:

- 550 mm above electric cookers/hobs
- 650 mm above gas cookers/hobs
- 650 mm above an open grill from the Miele range.

See the Warning and Safety instructions for further information.

When deciding on the safety distance between the hob and cooker hood, please note that

- a distance of 650 mm above electric hobs may be preferable to give more working space.